

ADHERE SERIAL LABEL

KS1460 Corner/Peninsula

MULTI SIDED GAS FIREPLACE

Installation Instructions and User Guide

MODE

IMPORTANT:

The appliance shall be installed in accordance with;

- This installation instruction booklet
- Local gas fitting regulations
- Municipal building codes
- Electrical wiring regulations
- Any other relevant statutory regulations.
- AS/NZS 5601.1 Gas Installations

**WARNING!**

DO NOT MODIFY THIS APPLIANCE.

THIS APPLIANCE MUST BE INSTALLED INTO A KITSET WALL UNIT STRICTLY IN ACCORDANCE WITH THE FOLLOWING INSTRUCTIONS.

DO NOT USE OR STORE AEROSOLS OR FLAMMABLE MATERIALS IN OR NEAR THIS APPLIANCE.

DO NOT PLACE ARTICLES ON OR AGAINST THIS APPLIANCE.

This appliance is not intended for use by young children or infirm persons unless they are adequately supervised by a responsible person to ensure that they can use the appliance safely.

Failure to follow these instructions could cause a malfunction of the heater, which could result in death, serious bodily injury, and/or property damage. Failure to follow these instructions may also void your fire insurance and/or warranty.

Who can install this product:

Installation must be carried out by a registered installer who, on completion, must issue:

AUS- A Certificate of Compliance

NZ- Certificates that comply with the latest legislation in accordance with national and/or local codes. If these are not issued then the Escea warranty may be void.

Warranty Repair and Annual Servicing:

Please contact Escea if you require warranty work. Warranty repair work must be carried out by a recognised Escea Gas Fire Technician To progress any warranty claims for damaged appliances/parts, photographic evidence may be required. Providing this can help contribute to a timelier resolution of a claim.

It is recommended that recognised Escea Gas Fire Technicians are also used to carry out annual servicing requirements (particularly during the warranty period). For contact details of recognised Escea Gas Fire Technicians in your area, or for replacement parts, please contact the retailer from whom the appliance was purchased or visit our website.

The heater must be installed according to these instructions and in compliance with all relevant building, gas fitting, electrical, and other statutory regulations (e.g.. AS/NZS 5601). Any shortcomings in the appliance and flue installation will be the responsibility of the installer and Escea will not be accountable for any such failings or their consequences.

Manufactured by: Escea Ltd, PO Box 5277, Dunedin, NZ

For contact details of your local Escea distributor, email info@escea.com or for:

NZ- www.escea.com or call: +64 3 478 8220

AU- www.escea.com.au or call: 1-800 460 832

KS1460 CORNER/PENINSULA PRODUCT SPECIFICATION

MODEL NAME	KS1460 Corner/Peninsula			
Description of Appliance	Indoor Gas Fire Heater			
Star Rating	3.4 Stars			
Max Heat Output	8.6 kW			
Compliant To	AS/NZS 5263.1.3			
Gas Type	Natural	Propane	ULPG	
Fuelbed Type	All	All	All	
Gas Input	High	41 MJ/h	38 MJ/h	38 MJ/h
	Low	30 MJ/h	28 MJ/h	28 MJ/h
Inlet Pressure	Max	5.00 kPa	5.00 kPa	5.00 kPa
	Min	1.13 kPa	2.75 kPa	2.75 kPa
Operating Pressure	High	0.75 kPa	1.66 kPa	1.66 kPa
	Low	0.42 kPa	0.80 kPa	0.80 kPa
Burner Jet Size	LH & RH	1.80 mm	1.05 mm	1.05 mm
	Middle	2.10 mm	1.20 mm	1.20 mm
Burner Aeration	LH & RH	1 x 3.5 mm	1 x 4 mm	2 x 13 mm
	Middle	2 x 4.5 mm	2 x 8 mm	Spacer (Open)
Pilot Injector	#37	#27	#27	
Product Dimensions	Width	1875 mm		
	Height	1200 mm		
	Depth	490 mm (503mm Peninsula)		
Weight	250Kg (160kg Excluding KWU)			
Ignition System	Electronic Ignition to pilot system			
	Escea PCB			
Ignition Activation	40 secs (approx)			
Flame Safeguard	Flame Rectification			
Consumption	160 W @ 0.69 A 230 V			
Remote Controls	Yes			
Timers	Yes (App and Internet connection compulsory)			
Clock	No			
Function Lock / child	No			
Temperature Control	Yes			
Connections	Electric	230 V AC		
	Gas	1/2" BSPT male lower centre of fireplace chassis		
	Flue Type	Aluminium Flexi Flue		
	Flue Size (ID)	75 mm and 100 mm Flexi Flue and PolyPro		
	Spigot Location	Top RH side (Top LH - RH corner)		
Data Badge Location	On chassis base			

CONTENTS

A Product Description and Dimensions		6
A1	Product Description	6
A2	KS1460 Peninsula Product Dimensions	6
A3	KS1460 Corner Product Dimensions	7
B Creating the Cavity		8
B1	Cavity Specification	8
B2	Creating the KWU	8
B3	Hearth	19
B4	KWU Base	19
B5	Wall Lining	19
B6	Television & Mantel Clearances	19
C Installing the Flue		20
C1	Flue Configuration (If less than 8m flue length is required)	20
C2	Flue Configuration (If more than 8m flue length is required)	21
C3	Installing the Horizontal Powerflue Wall Terminal Option	22
C4	Installing the External Universal Vertical Powerflue (UVP)	25
C5	Installing the Internal Vertical Powerflue (UVP)	26
C6	Installing in Accordance with Relevant Codes	28
C7	Running the Flue	29
C8	Running the Powerflue Electrical Cable	30
D Installing the Electricity and Gas to the Appliance		31
D1	Power Supply	31
D2	Pairing Fireplace to Escea Smart Heat App	31
D3	Home automation setup (optional)	32
D4	Gas Supply	33
D5	Gas Pipe Sizing	33
D6	Gas Pipe Position	33
D7	Gas Isolating Valve	34
E Installing the Appliance		35
E1	Connecting the Flue	35
E2	Installation	35
E3	Removing (and Replacing) the Glass	35
E4	Removing (and Replacing) the Infill & Burners	36
E5	Checking the Gas Operating Pressure	37
E6	Gas Type Conversion	40
E7	Auxiliary On/Off button	42

E8	Home Automation Setup- Optional	43
F Finishing the Installation		44
F1	Redwood Logs Fuel Bed Retainer Setup	44
F2	Redwood Logs and Embers Installation	46
F3	Riverbed Retainers Setup	51
F4	Riverbed Stone Setup	53
F5	Flame Picture	56
F6	Wall Linings	57
F7	Locating Wall Mount Cradle for Wireless Control	59
F8	Operating the Appliance	59
F9	LED Remote Operating Instructions	60
F10	Normal Operating Sounds and Smells	61
G Installation Checklist		62
S Service Manual		63
S1	Annual Service Procedure	63
S2	Error Codes	64
S3	Cleaning the Fuel bed and Glass	67
S4	Service-Mode Login (Elevated Permissions)	67
S5	Checking Operating Pressure	67
S6	Replacing/Pairing a Remote Control	68
S7	Replacing the Burners	68
S8	Serial Number	68
S9	Removing or Cleaning the Fan(s)	68
S10	Removing the Control Trays	69
S11	Pressure Switch Removal	70
S12	Replacing the Thermal Cut Out	74
S13	Servicing the Horizontal / Vertical Powerflue	75
S14	Wiring Diagrams	76

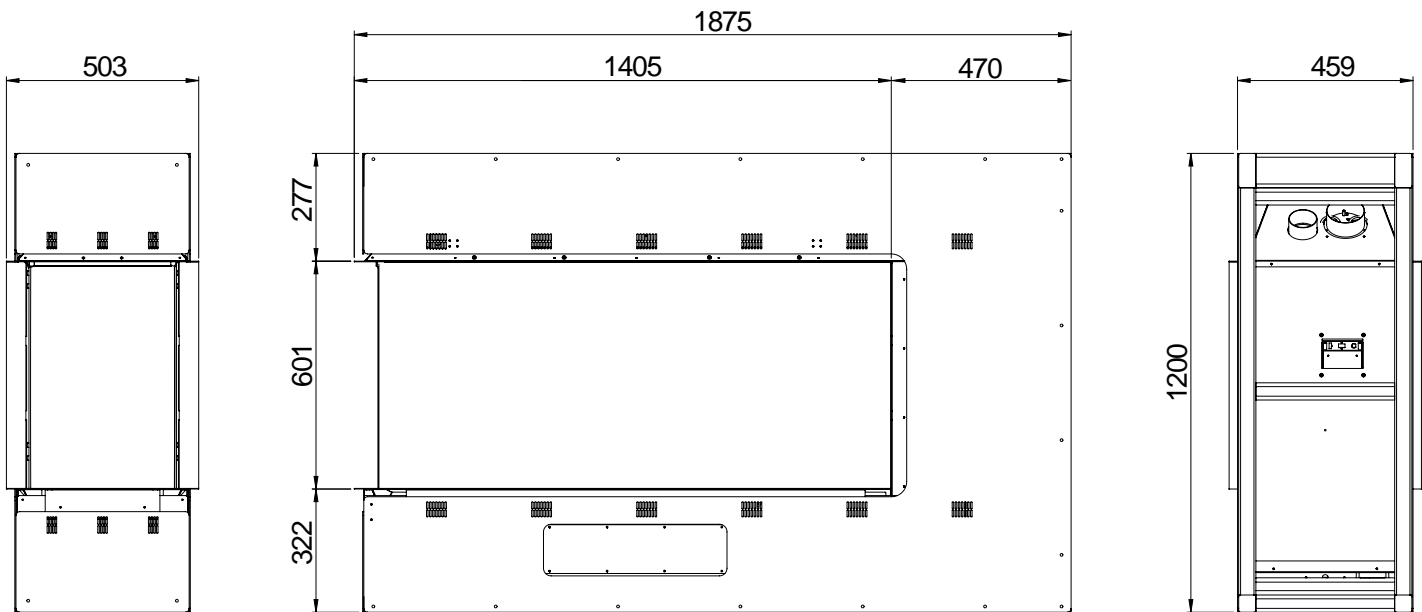
A PRODUCT DESCRIPTION AND DIMENSIONS

A1 Product Description

The Escea KS-Series gas fire is a room sealed gas appliance designed to be built into a supplied zero-clearance box called a Kitset Wall Unit (KWU). The KS1460 Corner/Peninsula must be installed into the KWU. The KS1460 is a powerful gas heater that, on the lowest setting (effect only) will still generate approximately 50% heat. The appliance is flued using co-linear flexible aluminium flue. The user will control their fire with the Bluetooth remote that will normally be located in its wall mount cradle. In addition to the remote the appliance has a single auxiliary On/Off button on the unit. When not in operation it is in a standby mode unless it is physically isolated from the mains supply.

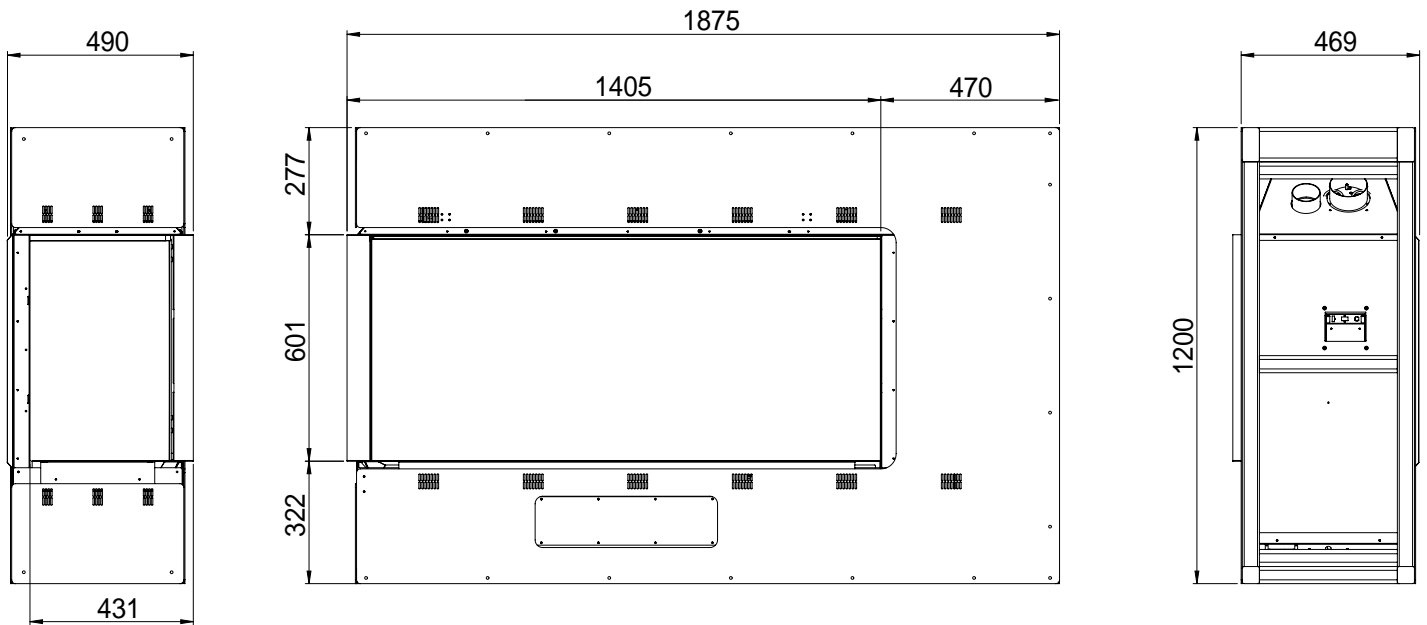
A2 KS1460 Peninsula Product Dimensions

All dimensions are in mm.



A3 KS1460 Corner Product Dimensions

All dimensions are in mm. Left corner version shown.



For more detail, contact the Escea architectural advisory team:

Email : aa@escea.com

INSTALLATIONS THAT ARE NOT SPECIFICALLY OUTLINED IN THIS MANUAL SHOULD BE REFERRED TO THE ESCEA ARCHITECTURAL ADVISORY TEAM.

PLEASE EMAIL AA@ESCEA.COM

I.E. HUTCH, UNDER BENCH, RECESSED, AND JOINERY ENCLOSED INSTALLATIONS.

I.E. USE OF HEAT SENSITIVE MATERIALS SUCH AS RESIN STONE OR LAMINATED TIMBER.

I.E. FLUE INSTALLATIONS OVER 8M.

To ensure that your installation is fully complete, please use the "Installation Checklist" on page 62.

B CREATING THE CAVITY

B1 Cavity Specification

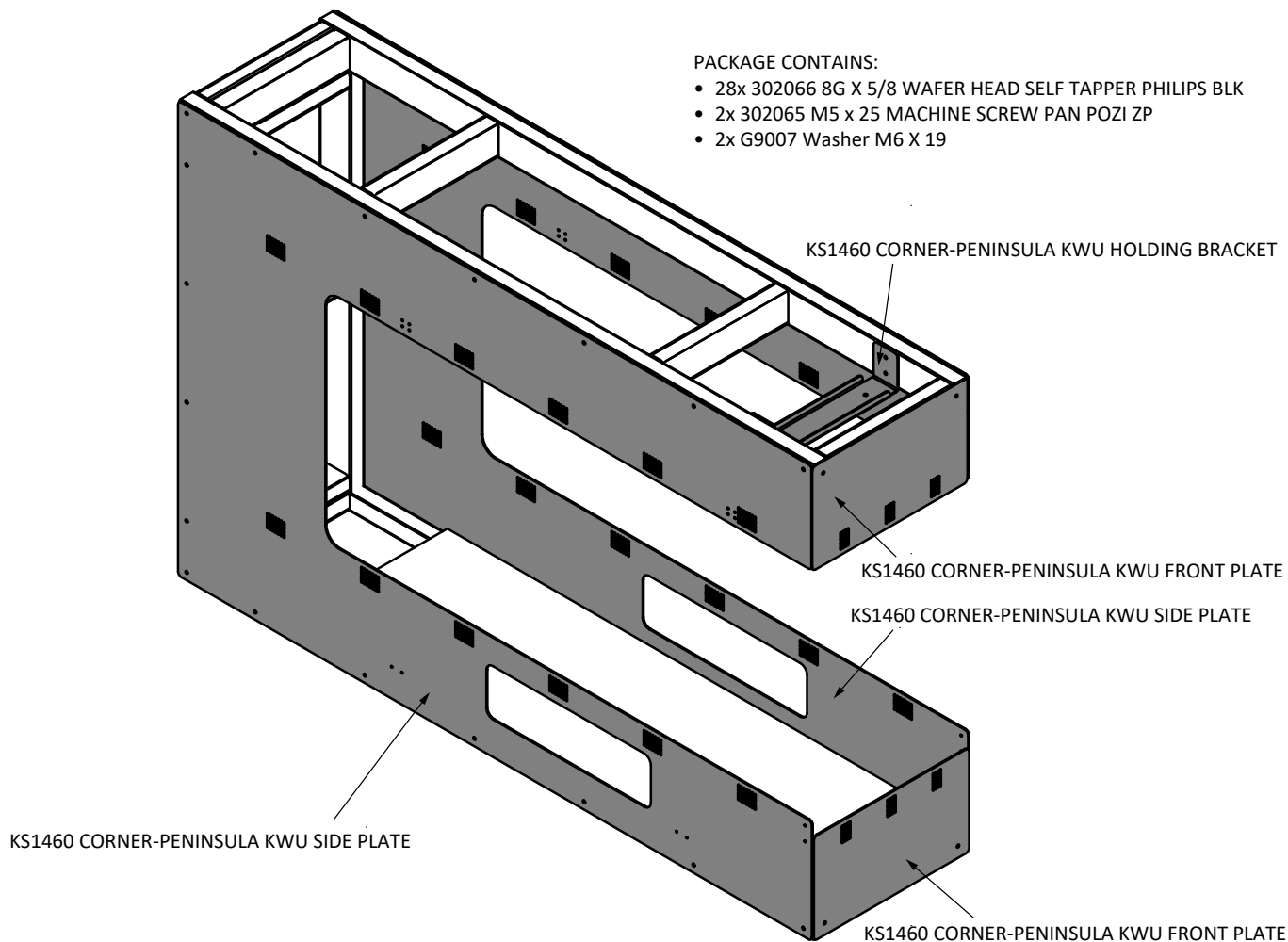
The KS1460 Corner/Peninsula is required to be installed in the supplied Kitset Wall Unit (KWU). This creates a cavity of steel and timber the correct size for the fireplace. Existing cavities will not be suitable. The KWU is designed to sustain up to 500kg of vertical loading.

B2 Creating the KWU

NOTE/WARNING: ONLY THE METAL SUPPORT BRACKETS ARE PROVIDED (PARTS HIGHLIGHTED IN GREY BELOW). THE TIMBER FRAMING WILL HAVE TO BE CONSTRUCTED ACCORDING TO THE DIMENSIONS IN THE FOLLOWING SECTION.

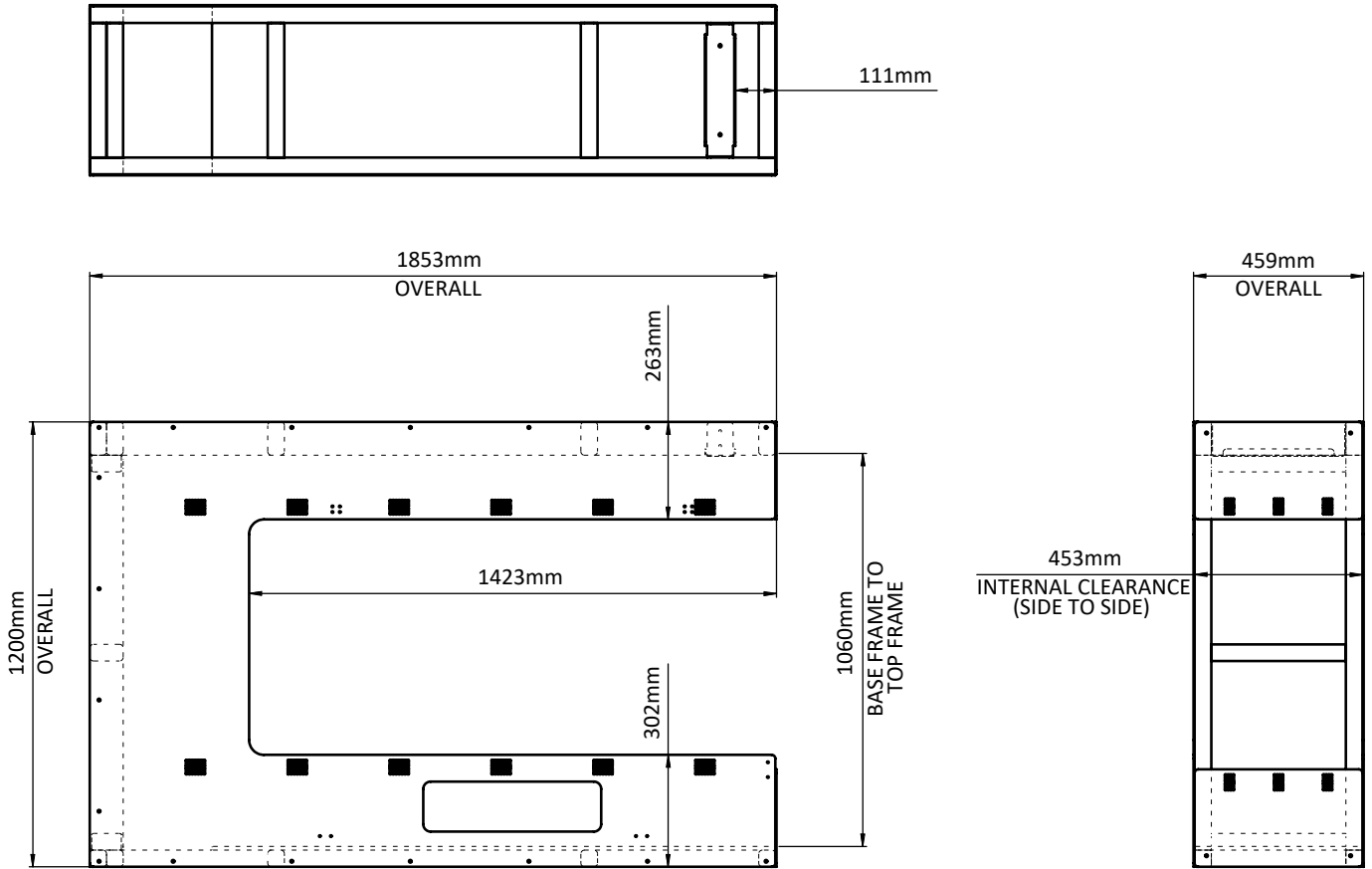
PACKAGE CONTAINS:

- 28x 302066 8G X 5/8 WAFER HEAD SELF TAPPER PHILIPS BLK
- 2x 302065 M5 x 25 MACHINE SCREW PAN POZI ZP
- 2x G9007 Washer M6 X 19



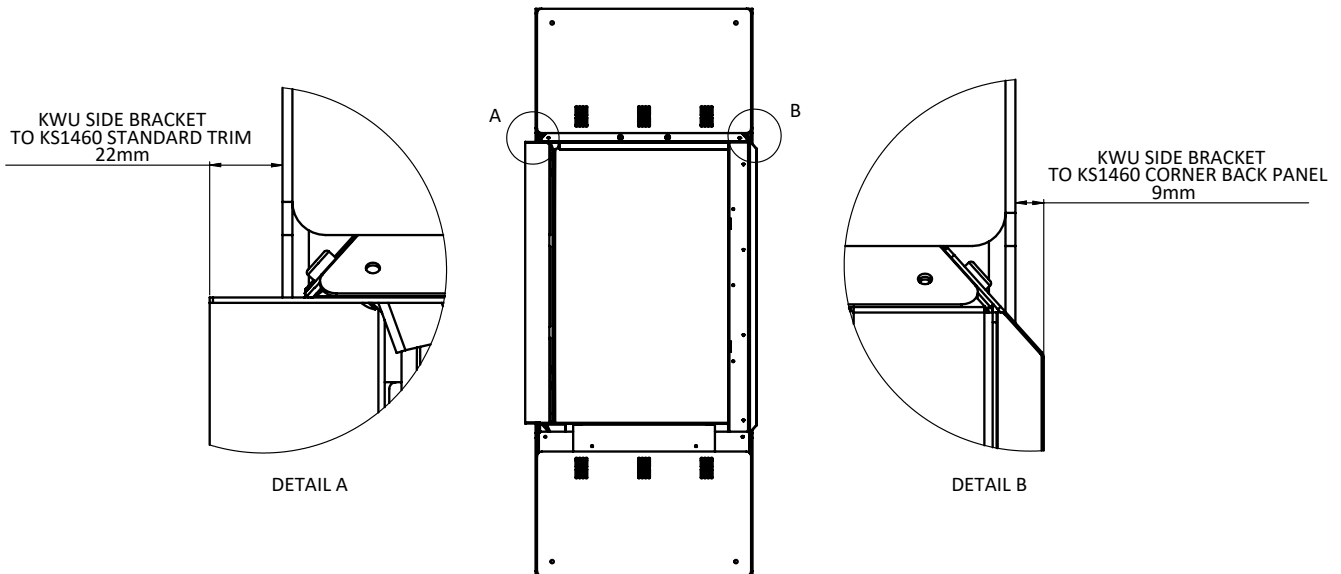
KWU Dimensions

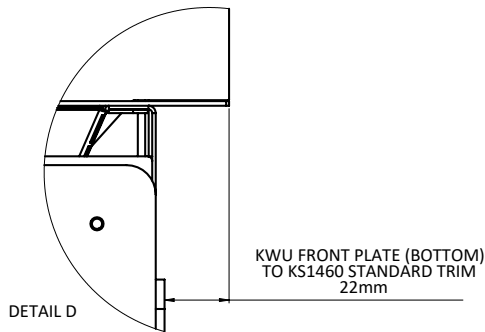
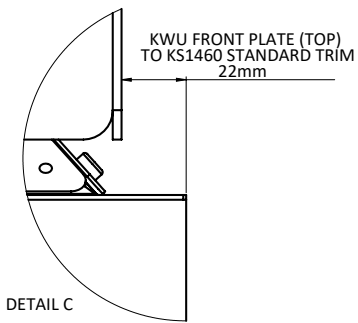
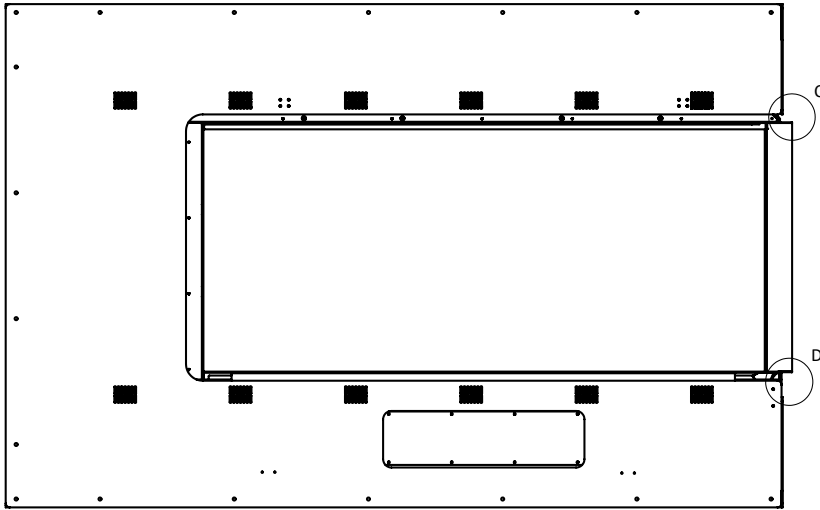
The following dimensions are needed to allow for correct wall lining thickness and clearance behind the appliance when installing the KS1460 Corner models:



KWU with KS1460 Corner LH & RH Models

FOR KWU INSTALLED WITH KS1460 CORNER MODELS

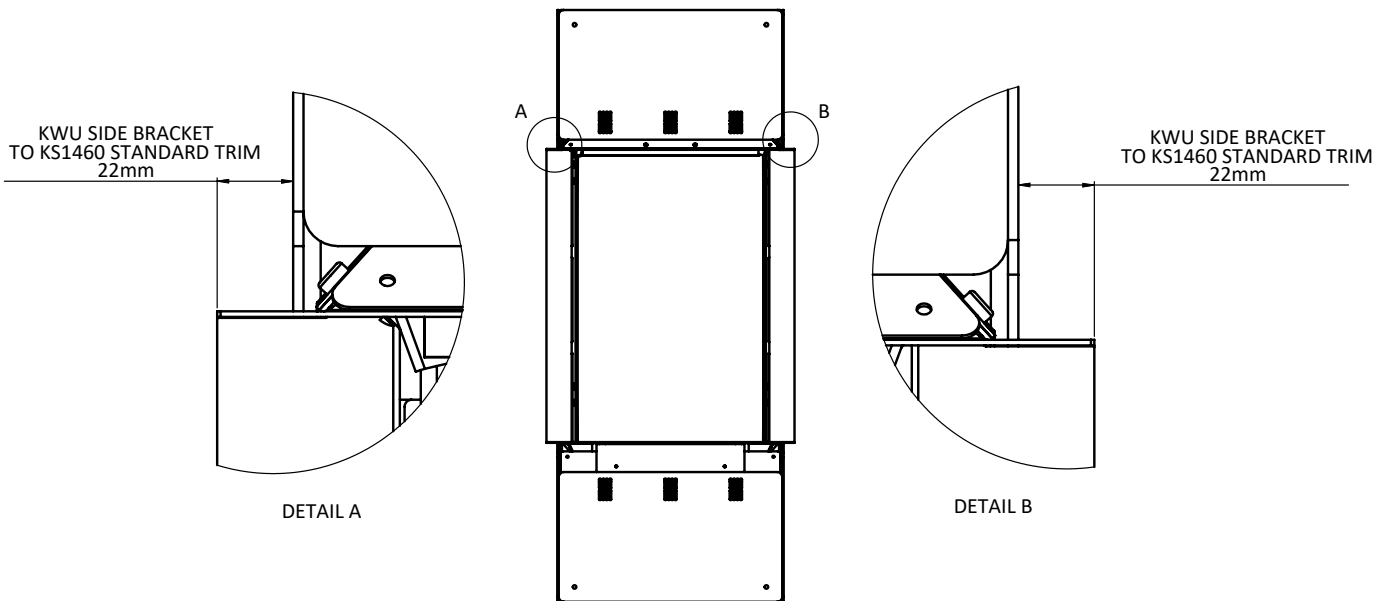


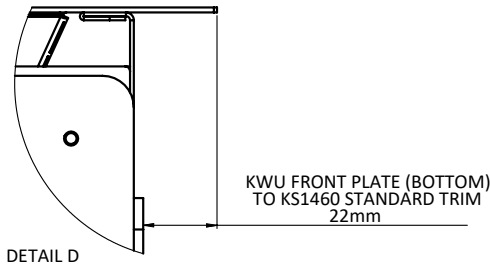
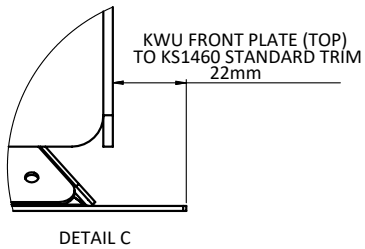
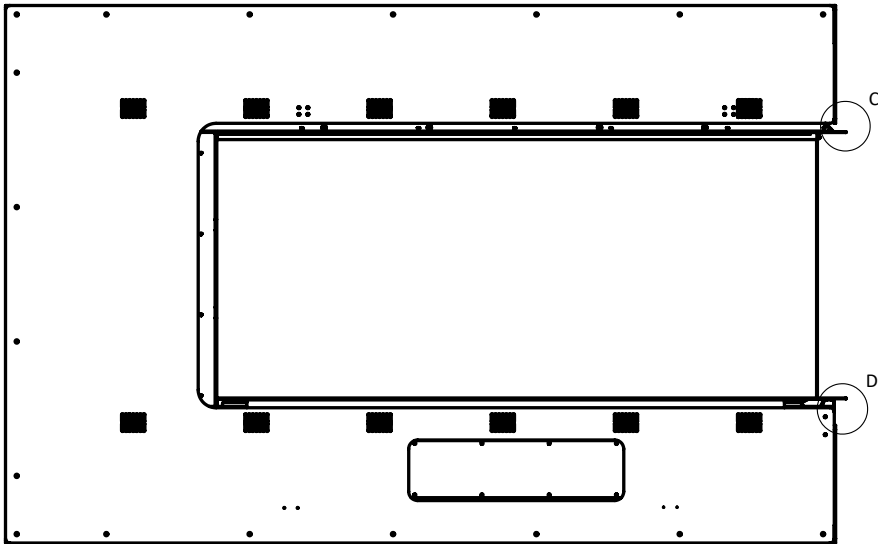


KWU with KS1460 Peninsula Model

The following dimensions are needed to allow for correct wall lining thickness and clearance behind the appliance when installing the KS1460 Peninsula model:

FOR KWU INSTALLED WITH KS1460 PENINSULA MODELS





Timber Framing and Plywood Dimensions

The following timber framing dimensions is required to build the KWU. Please cut timber pieces for framing according to the cut list listed below and fix the timber pieces together to build the KWU framing.

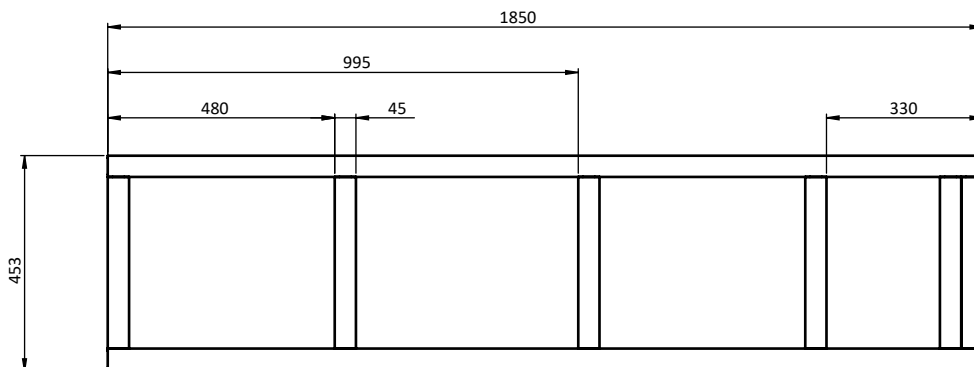
NOTE: ENSURE THAT ALL TIMBER FRAMING USED FOR THE KWU CONSTRUCTION IS DRY IN SERVICE, AND STRAIGHT.

Base Frame

Please use 45mm X 45mm (nominal) framing timber to construct the base frame.

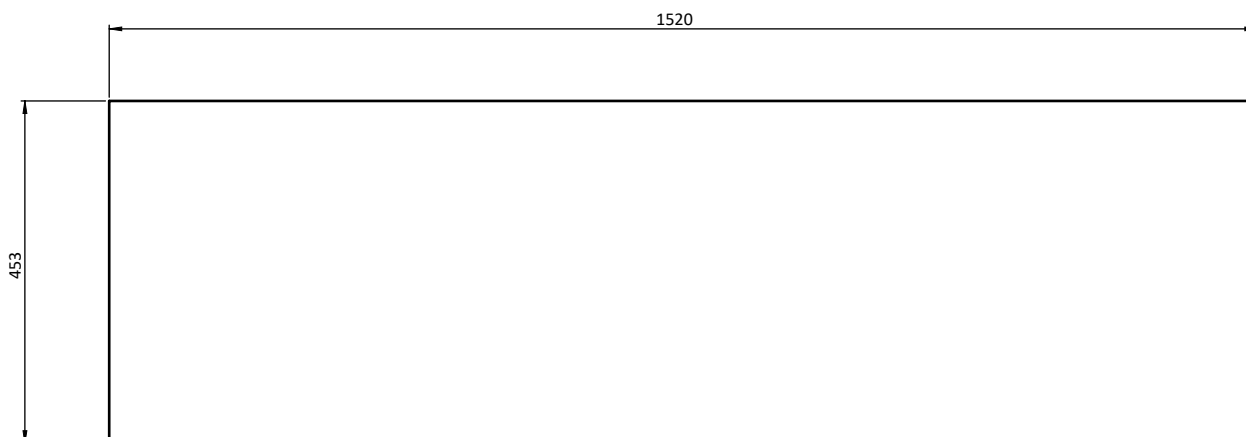
Build the frame to the OUTER DIMENSIONS in the image below:

(Frame dimensions: 1850mm x 453mm x 45mm)



Base Panel

Please use a 9mm plywood or a similar material for the panel and cut according the dimensions shown in the diagram below.

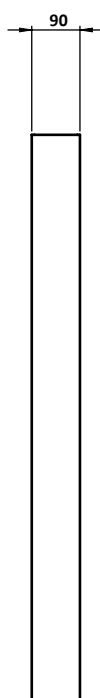
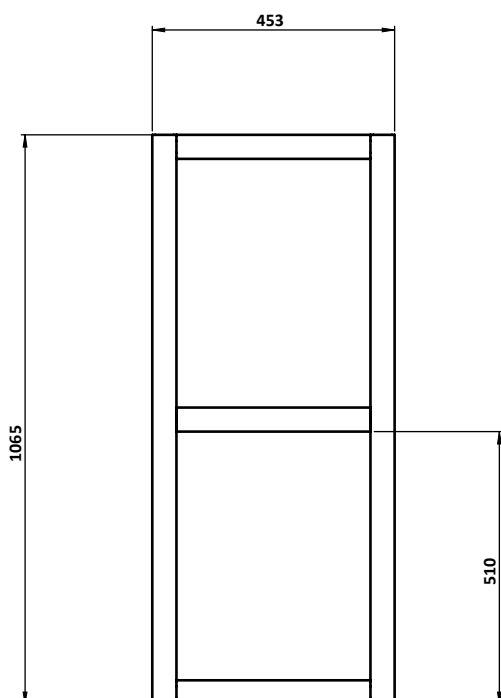


End Frame

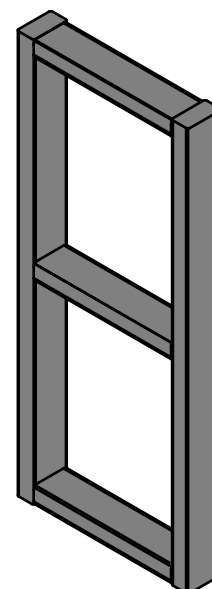
Please use 90mm X 45mm (nominal) framing timber to construct the end frame.

Build the frame to the OUTER DIMENSIONS in the images below:

(Frame dimensions: 1065mm x 453mm x 90mm)



FRAMING IS SYMMETRICAL

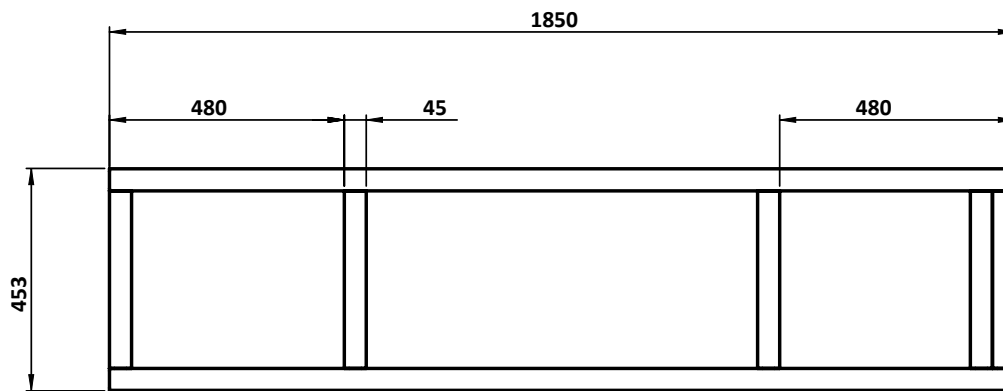


Top Frame

Please use 90mm X 45mm (nominal) framing timber to construct the top frame.

Build the frame to the OUTER DIMENSIONS in the image below:

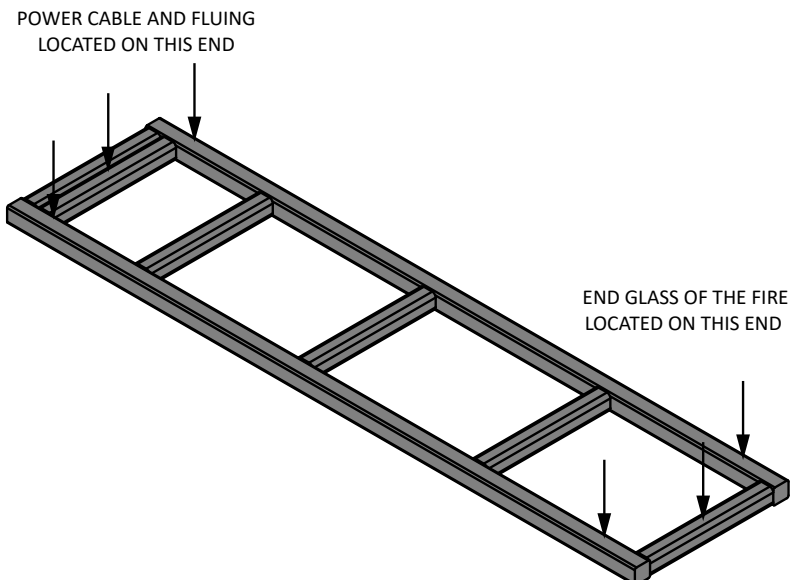
(Frame dimensions: 1065mm x 453mm x 90mm)



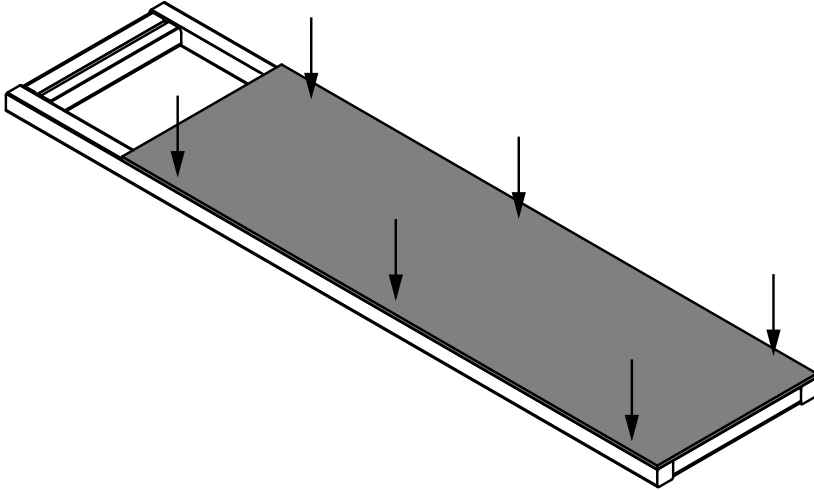
Assembly Instructions

NOTE: PLEASE ENSURE ALL TIMBER FRAMING AND PLYWOOD PIECES HAVE BEEN CUT AND CONSTRUCTED BEFORE ASSEMBLING THE KWU. ENSURE TIMBER SCREWS AND FASTENERS ARE PLACED IN SPOTS WHERE THEY WILL NOT COLLIDE WITH ONE ANOTHER.

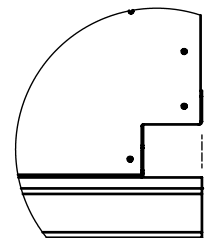
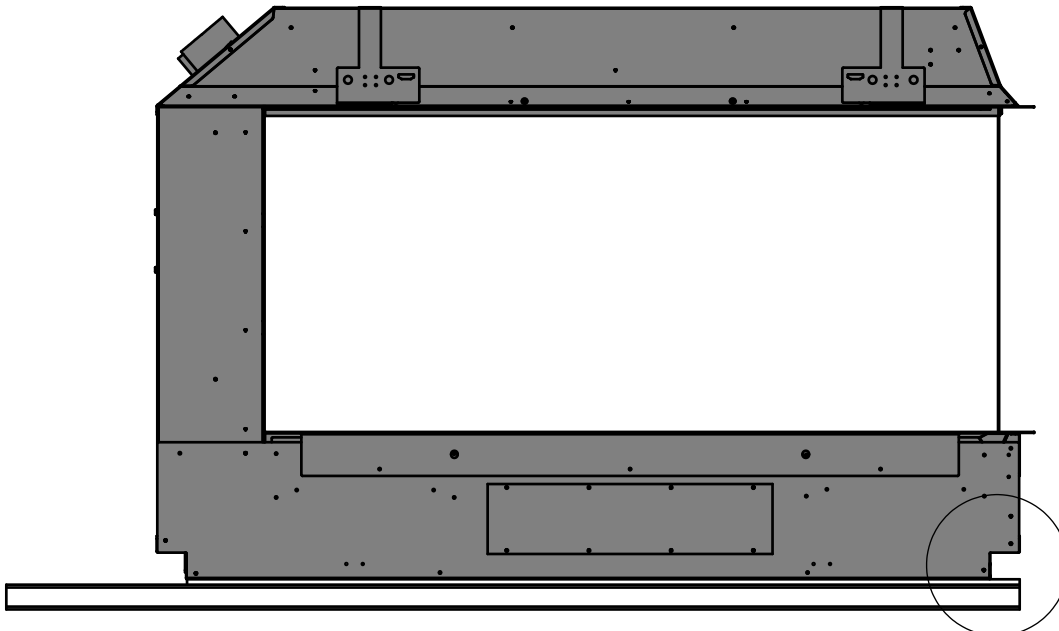
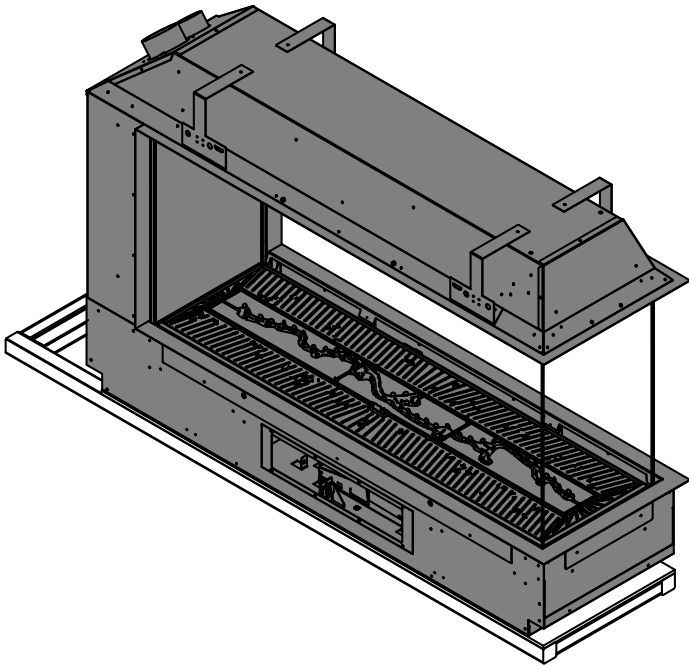
1. Install and secure the base frame to the floor, using anchors suitable for the location.



2. Install panel on the base frame and mechanical fix to the base frame.



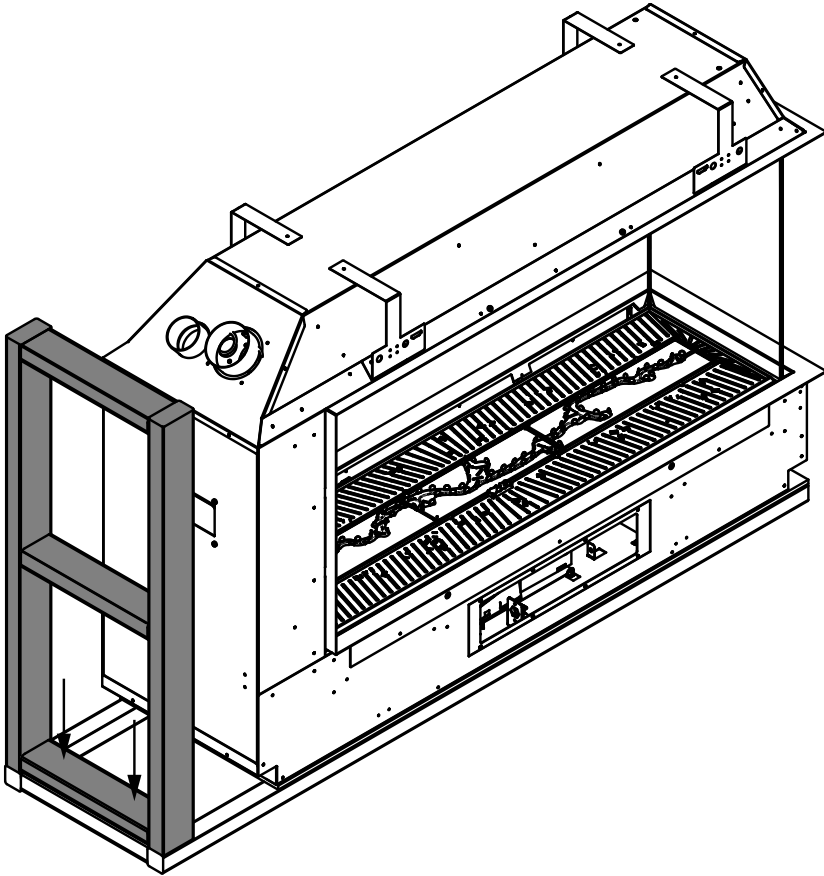
3. Install KS1460 onto base frame. Align the base end with the appliance base of the fireplace, as indicated below.



END OF CHASSIS IN
LINE WITH EDGE OF
BASE FRAME

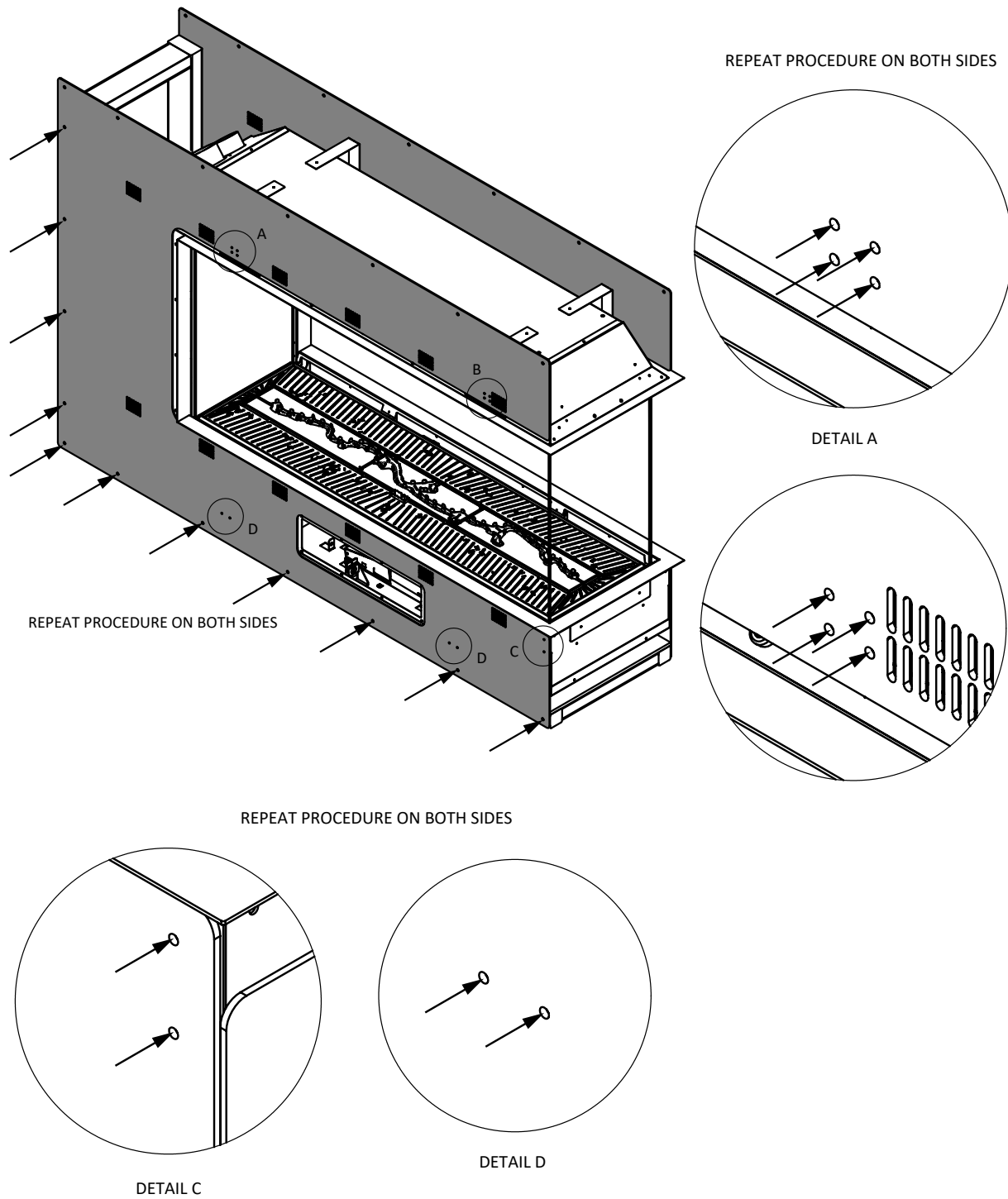
4. Place and secure the end frame on to the base frame with wood screws. Align rear of the end frame with the outer end of the base frame (as indicated below). Secure the end frame to an adjacent with seismic restraining fasteners.

NOTE: BEFORE THE SIDE PLATES ARE ATTACHED, PLEASE MAKE SURE THAT THE ELECTRICITY, GAS AND FLUE COMPONENTS HAVE BEEN CONNECTED ALONG WITH THE POWER FLUE CABLE AND HOME AUTOMATION CABLE, IF APPLICABLE.

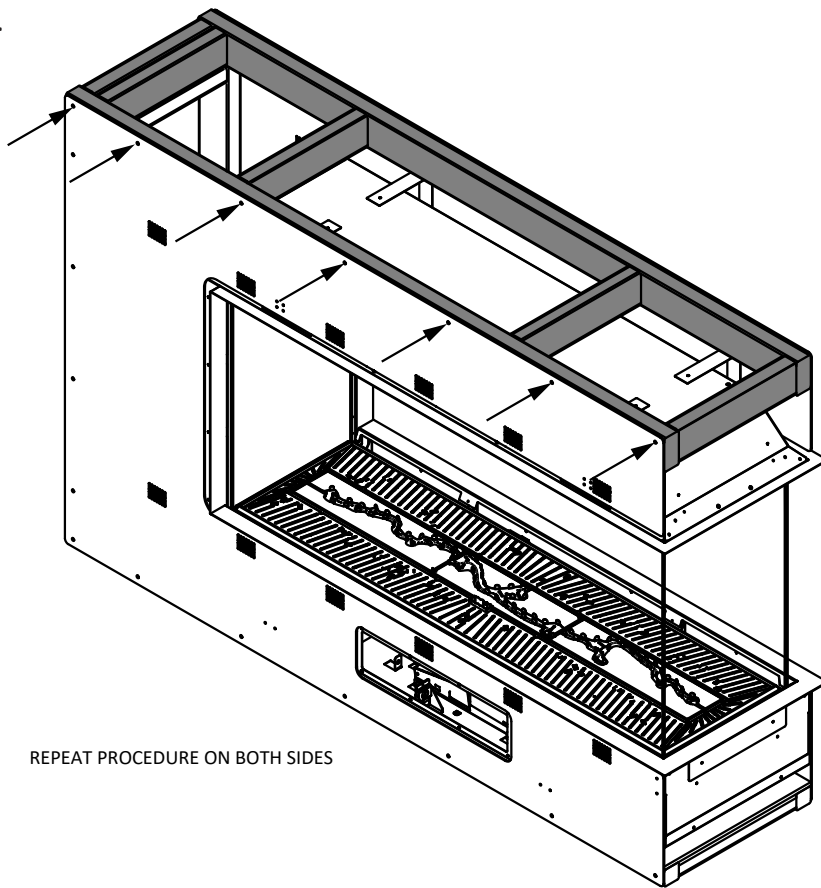


- Place the side metal KWU panels on the front and back of the fire. The panel ends must align with the rear of the end frame and the ends of the base frame. Secure the side metal plates to the timber framing with wood screws. On each of the side metal plates, use the provided wafer head screws (low profile head) to secure the plates to the chassis lid and the chassis base.

NOTE: BEFORE THE SIDE PLATES ARE ATTACHED, PLEASE MAKE SURE THAT THE ELECTRICITY, GAS AND FLUE COMPONENTS HAVE BEEN CONNECTED ALONG WITH THE POWER FLUE CABLE AND HOME AUTOMATION CABLE, IF APPLICABLE.



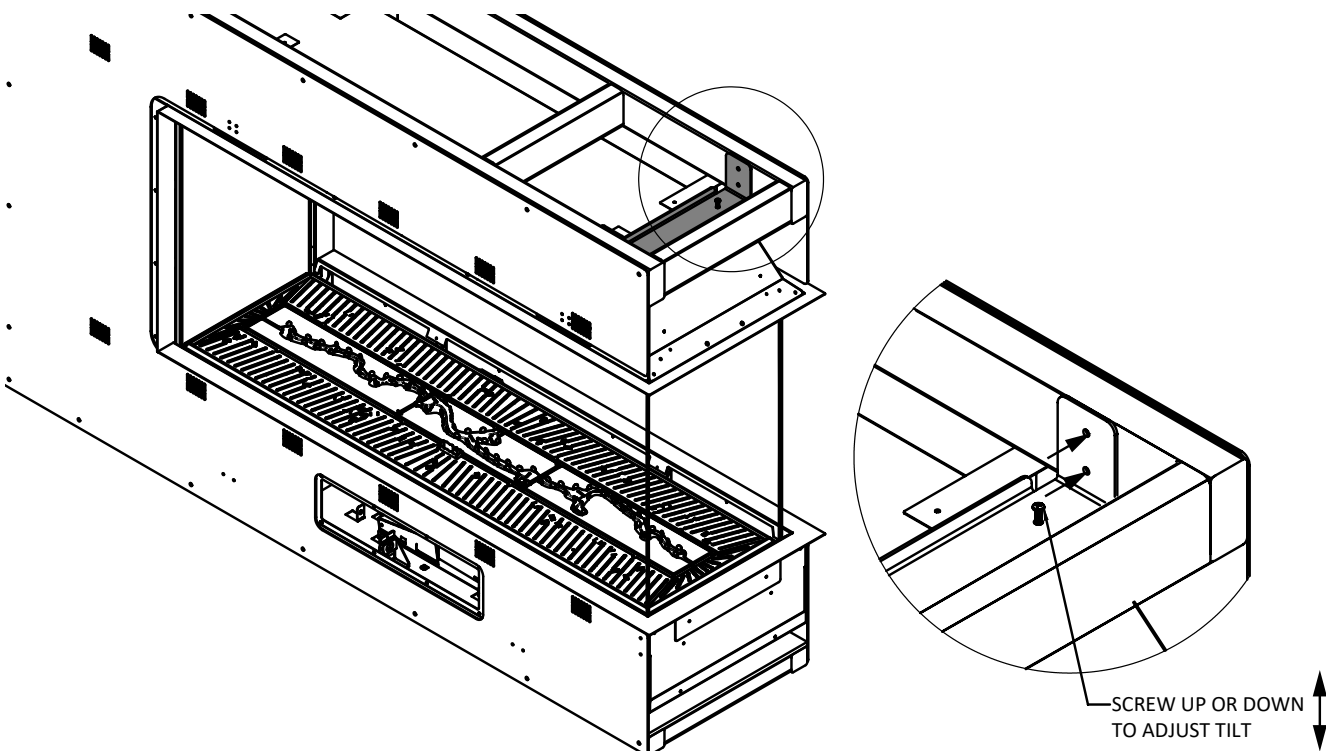
6. Place and secure the top frame on to the end frame with wood screws. Align the outer end of the top frame with the rear of the end frame. Secure the side metal brackets to the top frame with wood screws.



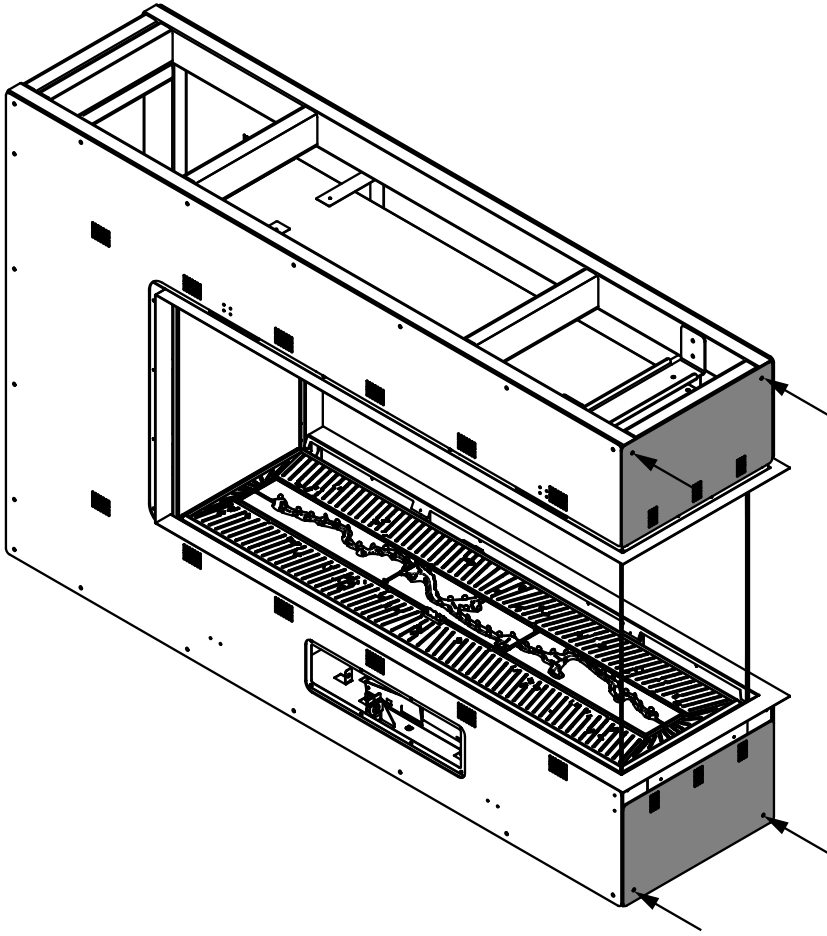
REPEAT PROCEDURE ON BOTH SIDES

7. Place the KWU-chassis lid bracket on the top frame. Ensure the bracket holes are aligned with the nuts in the chassis lid. Leave a 10mm gap between the chassis lid and the KWU bracket. Using wood screws, secure the bracket to the top timber frame through the four pre-drilled holes on the sides of the bracket.

Attach the provided M5 screws and washers through the holes on the KWU-chassis lid bracket to level the chassis lid.



8. Attach end metal brackets on to the top frame and base frame to complete the KWU installation.



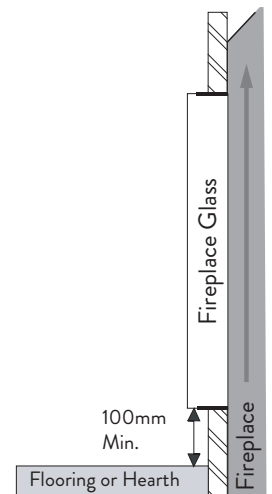
B3 Hearth

A hearth is not required. If a hearth is installed below the fire, it must be at least 100 mm below the bottom of the glass or be composed entirely of non-combustible materials.

B4 KWU Base

This KWU MUST be fully supported on its base over the entire area of the underside of the framing. The base must also be level and strong enough to support the total product weight of 250kg.

The fireplace can be recessed into the ground but must maintain clearances detailed in the diagram (shown right) for any combustible flooring materials.



B5 Wall Lining

The final wall lining can only be commenced after all previous applicable sections have been completed.

Wall lining cutout dimensions around the glass must be adhered to.

Please refer to section F6 on page 57 for wall finishing dimensions surrounding glass.

B6 Television & Mantel Clearances

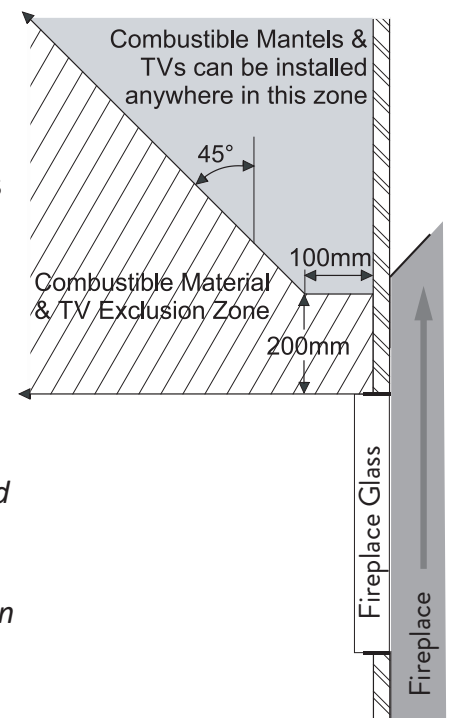
Television

The diagram (shown right) shows the recommended minimum clearances for the location of any electrical equipment (such as Plasma TV, LCD TV, or home theatre) above a KS Series gas fire. A mantel/recess is not required to comply with our recommendation of TV installation.

NOTE: Dimensions are from the top edge of the glass frame.

NOTE: Escea does not recommend putting artwork above the fireplace. Doing so is at your own risk.

NOTE: The television clearance recommendations are to be treated as a suggestion of a suitable installation only. It is the responsibility of the end user to check the installation instructions of their electrical appliances to ensure that the location in relation to the gas fire is suitable. Escea in no way guarantees or takes responsibility that the recommended installation suggestion will be suitable for all electrical or home entertainment appliances.



Mantel

Please refer to the diagram (shown right). Combustible mantels or protruding ledges above the heater must not be installed lower than the dimension shown.

NOTE: Dimension from the top edge of the glass frame.

C INSTALLING THE FLUE

C1 Flue Configuration (If less than 8m flue length is required)

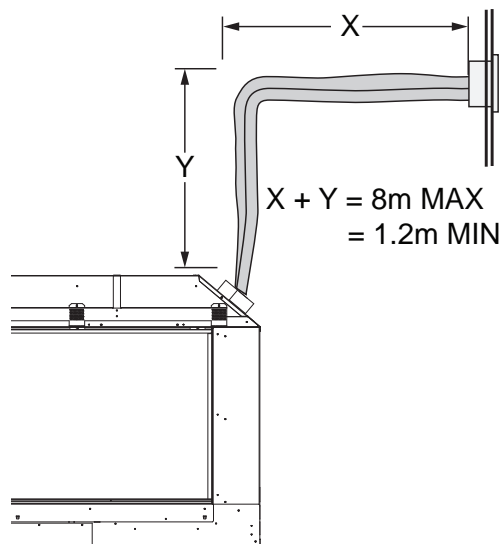
If your flue system is less than 8m long (as shown in diagrams below), then a simple aluminium flexible flue is required. If you wish to install a longer flue run, please contact the Escea Architectural Advisory Team.

Horizontally Terminated: Utilises the Escea Horizontal Power Flue enclosure kit.

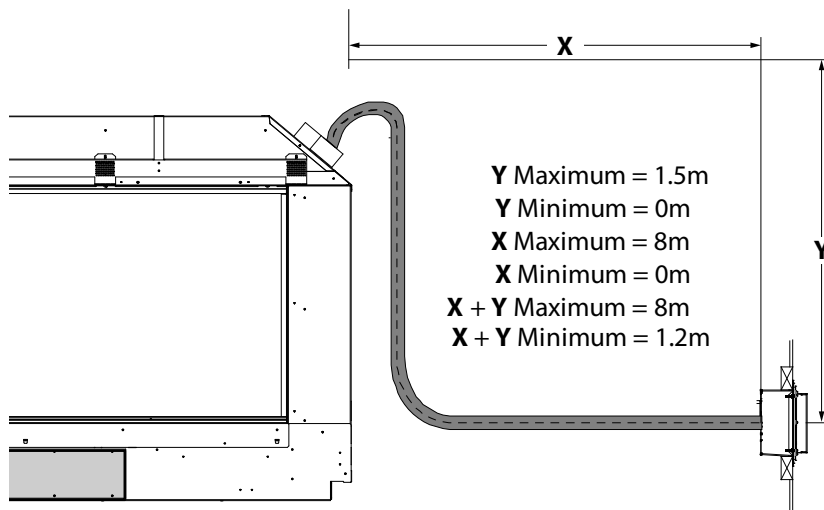
The horizontal offset of the terminal can be any amount up to the total flue length listed below. Please consult with Escea's technical staff if your intended flue configuration falls outside of the bounds of the flue configurations shown below.

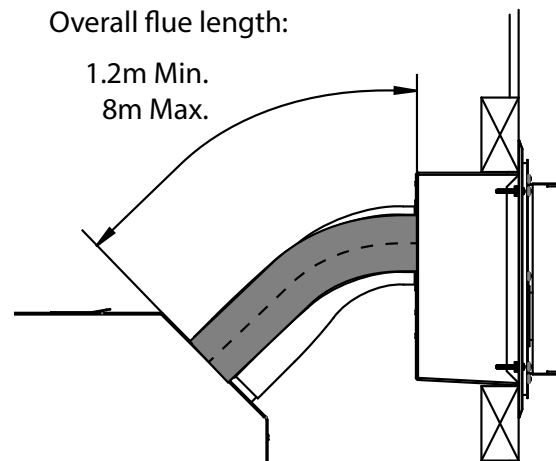
NOTE: The fan in this powerflue produces 52 DB of noise, think carefully around the location of the terminal, if the terminal is in close proximity to the fire then the fan noise will be more prevalent.

NOTE: If the only option is to install the terminal close to the fire then introducing sound deadening material around the back of the terminal or stretching out the flexiflue and adding more S-bends is recommended to reduce sound transfer through to the fire.

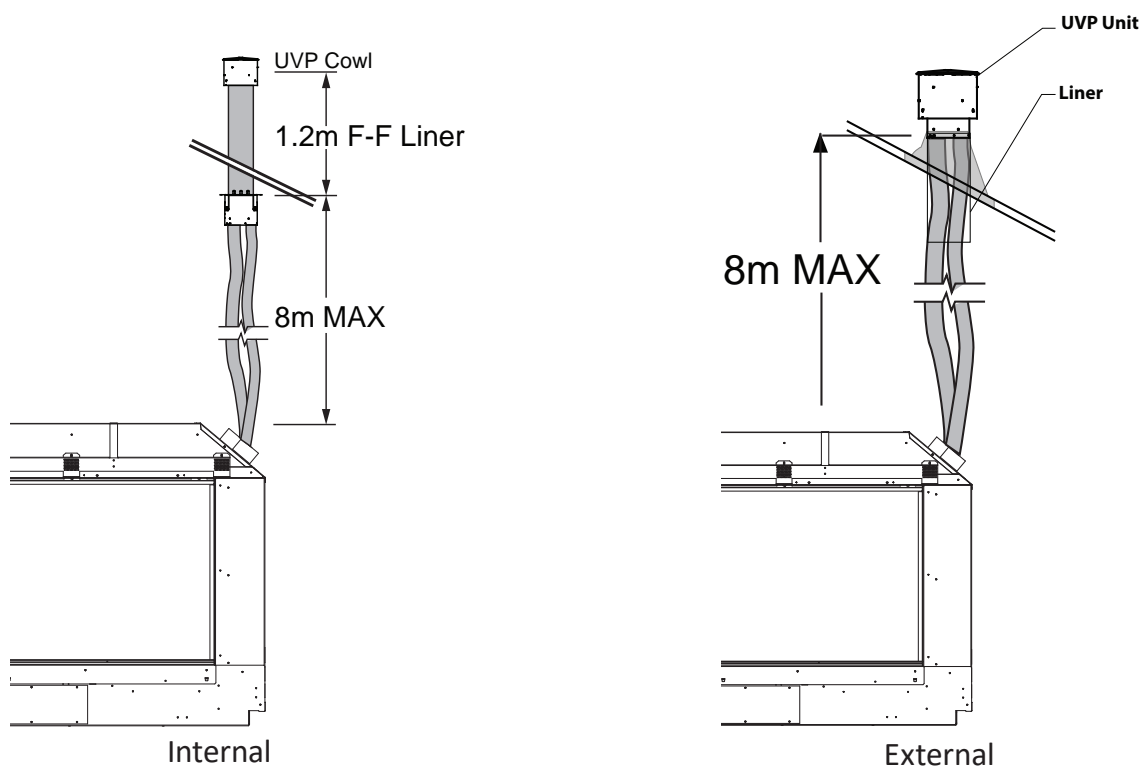


NOTE: When flueing above the fire, the pipe must slope towards fire - NOT towards the terminal. Also when flueing below the fire, the pipe must slope towards the terminal - NOT towards the fire.





Vertically Terminated: Utilises the Escea Universal Vertical Power Flue enclosure kit.



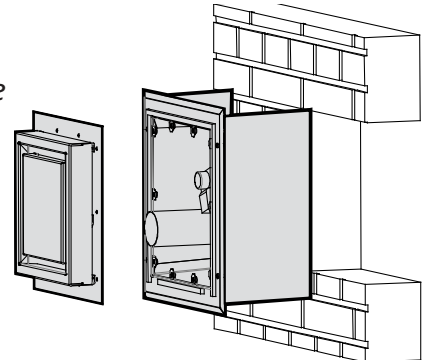
C2 Flue Configuration (If more than 8m flue length is required)

If your flue system is greater than 8m long (up to 40m long), then please contact the Escea Advisory Team at aa@escea.com for further guidelines.

C3 Installing the Horizontal Powerflue Wall Terminal Option

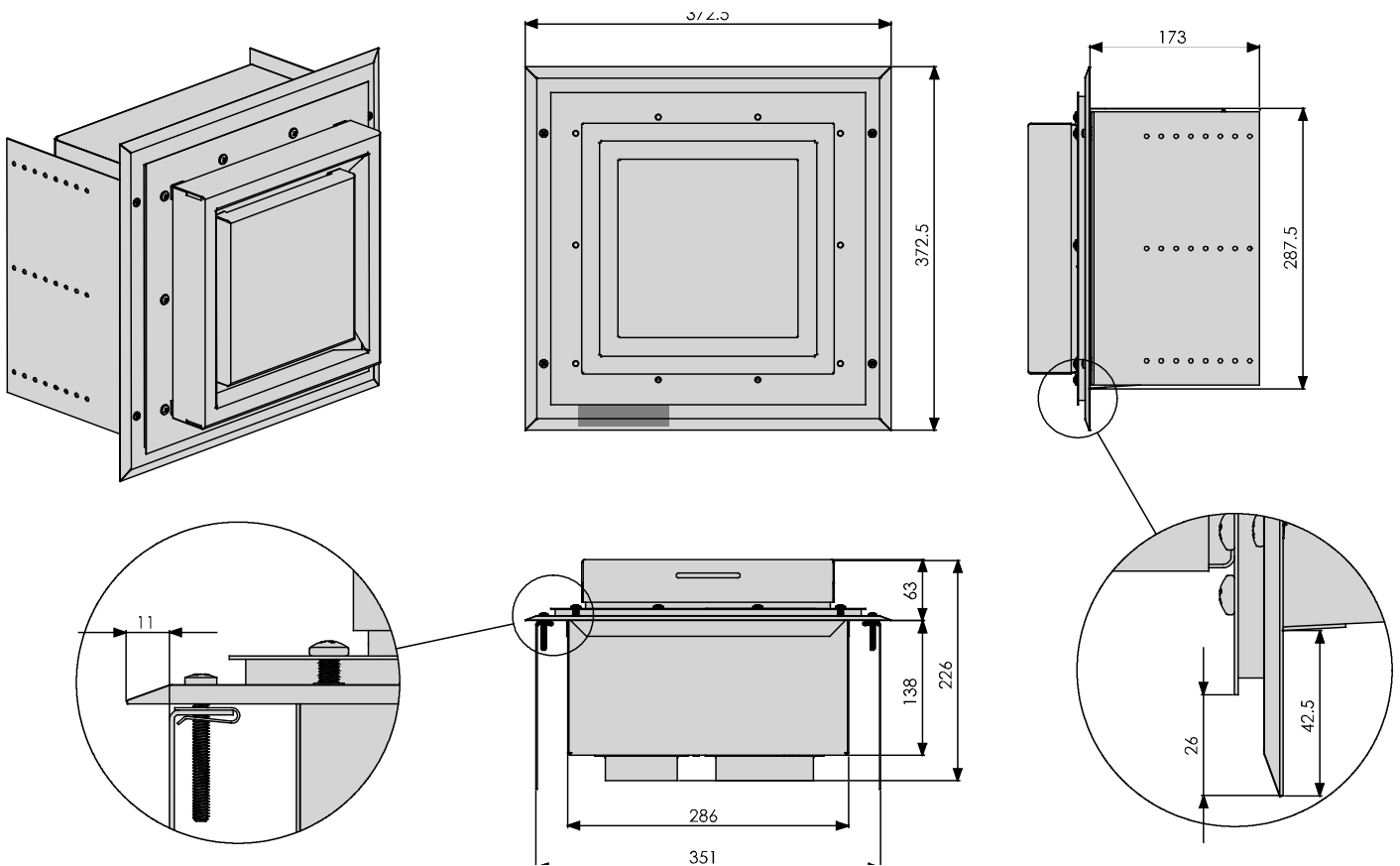
NOTE: The appliance is designed only to operate using the approved flexible or PolyPro flue supplied by Escea. Other brands of flue may not fit, and this will affect the appliance warranty.

The Horizontal Power Flue Wall Terminal must be installed in the correct orientation (the small horizontal slot should be at the bottom). This allows for the correct operation of the flue system and prevents the ingress of water.



The horizontal powerflue wall terminal must be weather tight when installation is complete to prevent damage to the dwelling. It must be installed by a suitably qualified person.

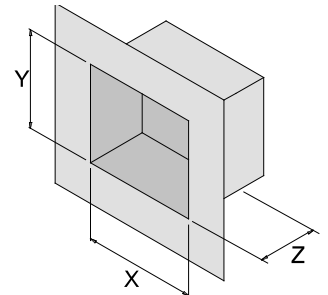
Take notice of the label on the termination which shows the correct orientation of the terminal.



Creating the Hole in the Outside Wall

When cutting the hole in the outside wall, be mindful of how the installation of the horizontal powerflue wall terminal will be finished; the installation must be weatherproof.

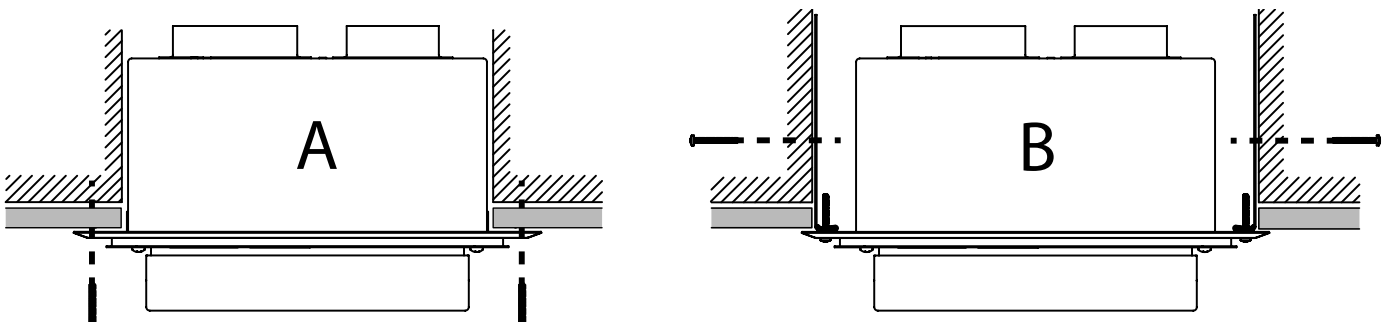
Ideal Hole/Cavity Size for Horizontal Powerflue		
	Without Side Brackets	With Side Brackets
X	298 mm	360 mm
Y	298 mm	298 mm
Z	175 mm (Excluding allowance for flue which exits here)	



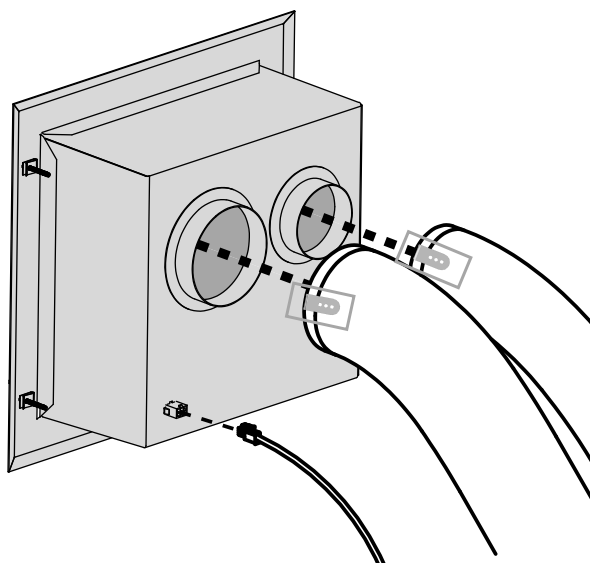
The horizontal powerflue wall terminal can be attached to the wall in two ways:

A) From the front of the terminal:

B) By attaching the optional wall terminal installation brackets to the sides of the cavity and attaching the horizontal powerflue wall terminal to these, from the front:



Attach the 100 mm and 75 mm flexible aluminium flues to the spigots on the rear of the horizontal powerflue wall terminal using the hose band clamps supplied. Plug the powerflue electrical cable into the back of the horizontal powerflue wall terminal.



Ensure that the electrical cable is firmly secured to the wall terminal or building to prevent damage or disconnection if pulled.

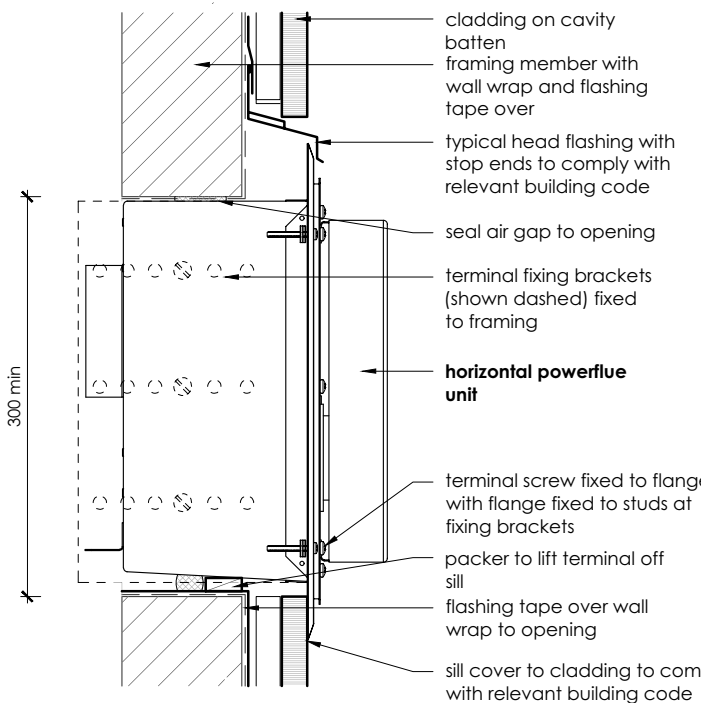
Fit the horizontal powerflue wall terminal into the hole and fix it in place, making sure the installation is sealed appropriately to prevent the ingress of water from outside the wall cladding.

NOTE: It is the responsibility of the installer to ensure the horizontal powerflue wall terminal is installed to all relevant building codes to ensure weather tightness. This may necessitate the use of appropriate flashing material where appropriate.

IMPORTANT: Ensure that flashings do not restrict the air intake slot around the periphery of the cowl.

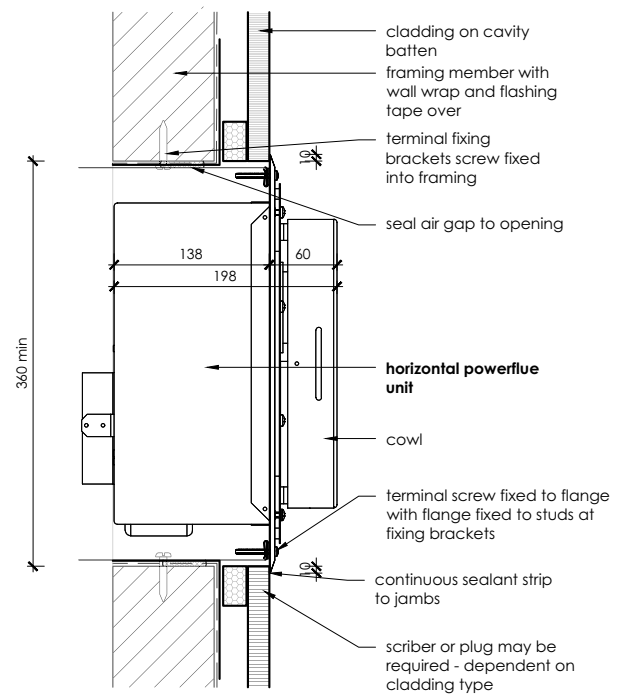
How to Flash the Horizontal Powerflue

The following diagrams are excerpts from the Escea architect drawings and are available in full on our website. These diagrams are recommendations, and your installation must comply with any local or national building codes.



Head and Sill

scale 1:5



Jamb

scale 1:5

C4 Installing the External Universal Vertical Powerflue (UVP)

The UVP is designed to have the enclosure containing the fan unit mounted externally. Escea recommends this install for a UVP powerflue; an example is shown below.

IMPORTANT: When installing the unit onto a flue liner, take care regarding the minimum required length of flue liner above the roof.

Ensure the 43mm restriction plate is installed on the inlet.

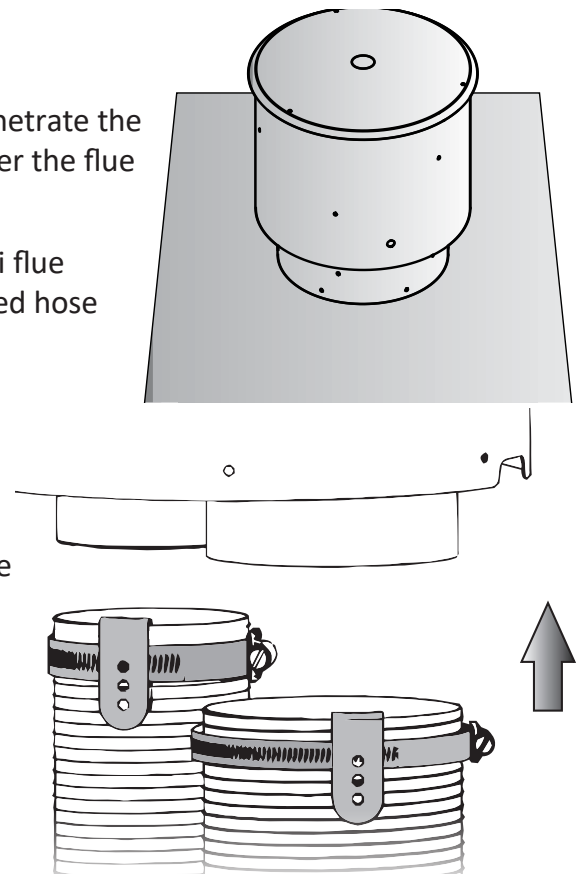
The cowl surround should be fixed in place as shown right.

Mount the UVP kit to the top of a chimney flashing plate or penetrate the roof with an optional flue liner accessory and fit the UVP kit over the flue liner, sealing the penetration with a decktite or similar flashing.

Ensure the terminal is vertical and rigidly mounted and the flexi flue attached below is fixed to the terminal spigots using the supplied hose clamps and aid clips.

Place the clamp over the flexi flue and the clip over this. Make sure the flexi tube has been stretched out as far as possible where the hose band clamps are going to be attached (not still compressed). Slide the flexi tube over the spigot and hold it in place by drilling one hole through the spigot using the clip guide hole and riveting the three components together.

NOTE: If this install is impractical for your situation see information regarding an internal install of the UVP, go to section C5 on page 26.



C5 Installing the Internal Vertical Powerflue (UVP)

NOTE: Internal install is only recommended for situations where an external install is impractical. For information regarding an external install, go to section C4 on page 25.

The Universal Vertical Powerflue (UVP) internal configuration is designed to have the fan, mounted within the roof space of the house, and the vertical 225 mm diameter liner, containing a 100 mm flexi, penetrate through the roof. The UVP internal conversion kit comes with a 1200 mm liner that is specific to the internal installation and must always be used.

NOTE: The flue setup must comply with either section C1 on page 20 or C2 on page 21.

Use standard methods to flash the roof penetration. The installation must be weatherproof and conform to all local council standards including powered flue termination rules.

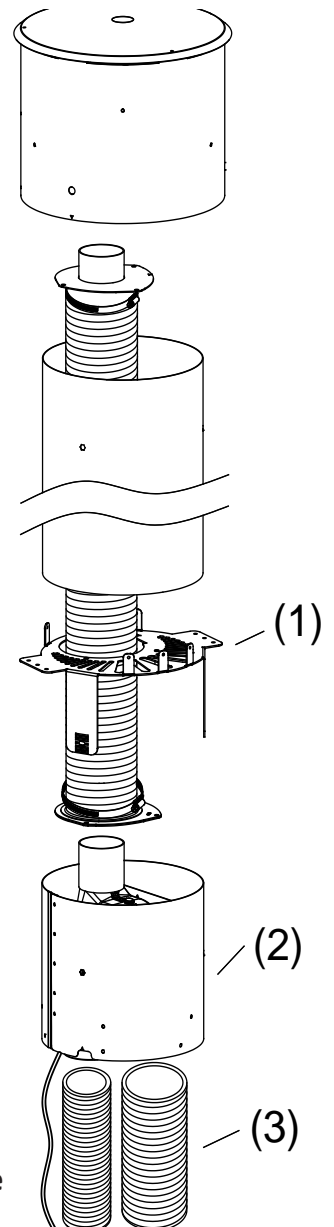
Mount the fan mount bracket (1) to the roof framing and strapping using timber ensuring that the flue is rigid and vertical. Ensure that the mounting timber does not obstruct access to the 3xM5 screw threads on the side of the fan unit.

Aim to have the fan enclosure (2) mounted as high as possible, mainly to allow sufficient fall for condensation drainage if the flexi-flue is to run horizontally.

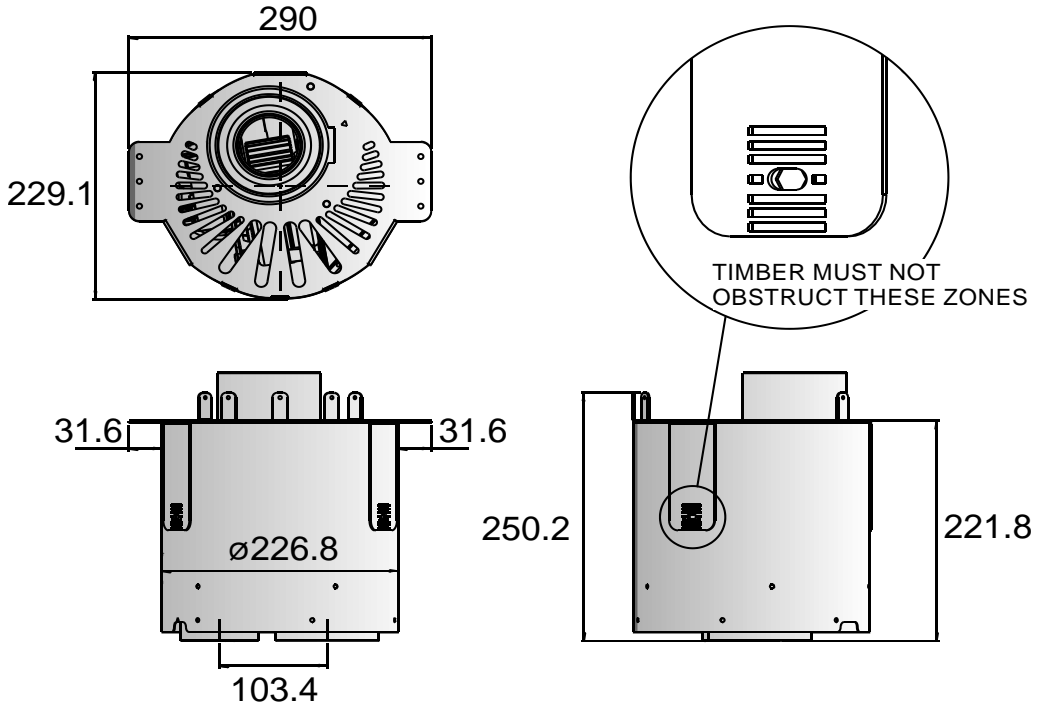
Ensure there is sufficient space below fan enclosure (2) to have access to fit the flexi-flue tubes (3) and allow flowing bends if required.

IMPORTANT: The UVP-Internal and the flexi flue connections must be installed in a location accessible for service or replacement; a service hatch or removable flashing to allow access is required.

IMPORTANT: When installing the unit onto a flue liner, ensure the length of flue liner above the roof is the minimum required length.



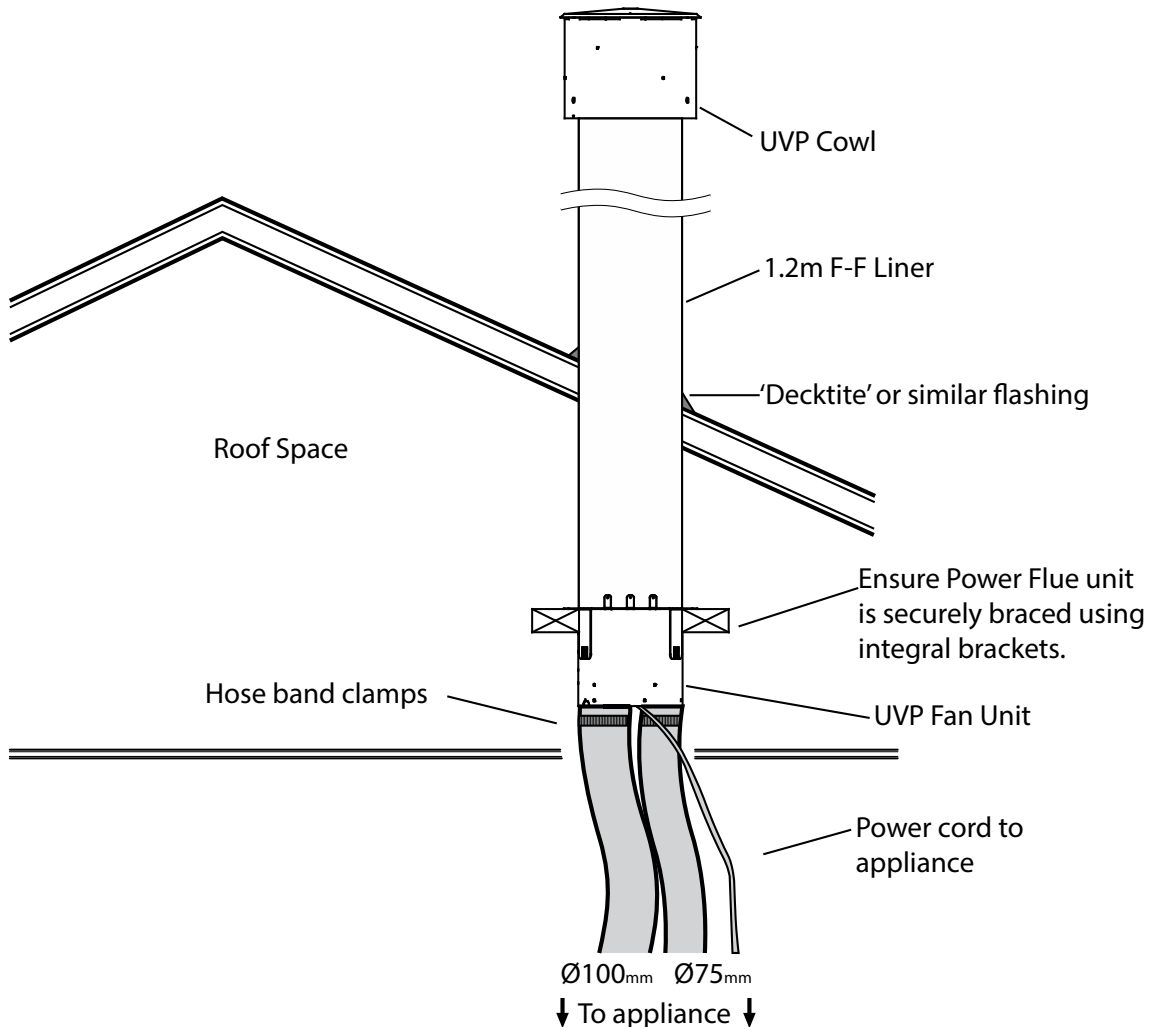
Ensure the 43 mm restriction plate is installed on the inlet.



The UVP-Internal kit is intended for use within an accessible roof space or 'chimney' construction.

Service access must be provided.

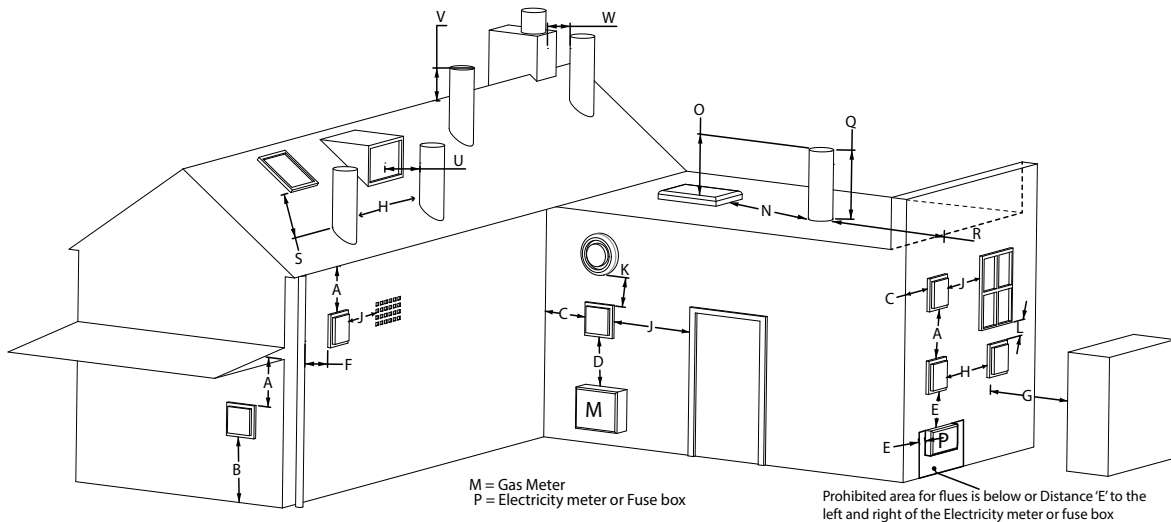
Ensure installation complies with relevant building codes and regulations



C6 Installing in Accordance with Relevant Codes

The location of the horizontal powerflue wall terminal must be installed in accordance with AS/NZS 5601 and any other relevant building codes. If possible, avoid installing the horizontal powerflue wall terminal in areas exposed to high winds and extreme weather.

Some of the minimum clearances for a fan assisted wall terminal are listed below; please refer to AS/NZS 5601 Gas installation standard for full guidance on the design of the flue system. Where possible allow a greater clearance.



A	Below eaves, balconies and other projections	200 mm
B	From the floor, above a balcony or other surface	300 mm
C	From a return wall or external corner	300 mm
D	From a gas meter or regulator vent	1000 mm
E	From electricity meter or fuse box	500 mm
F	From a drain pipe or soil stack	75 mm
G	Horizontally from any building structure or obstruction	500 mm
H	From any other flue terminal or combustion air intake	300 mm
J	Horizontally from any moving window, door, non-mechanical air inlet, or any other opening into a building with the exception of sub floor ventilation	300 mm
K	From a mechanical air inlet or spa blower	1000 mm
L	Vertically below any moving window, door, non-mechanical air inlet, or any other opening into a building with the exception of sub floor ventilation	300 mm
N	Horizontally from a roof light	600 mm
O	Vertically from a roof light	500 mm
Q	Vertically from a flat roof	500 mm
R	Horizontally from a vertical structure	500 mm
S	Below a roof window	2000 mm
T	Above or either side of a roof window	600 mm
U	From a dormer window	1500 mm
V	Above the apex of the roof (see note 1 on following page)	300 mm
W	From an open flue	1500 mm

NOTE:

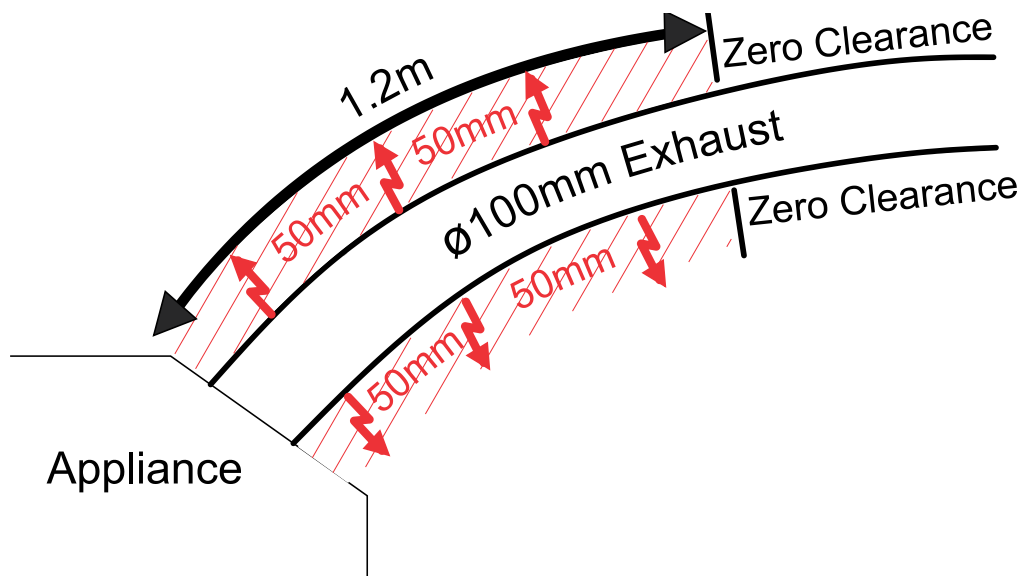
- 1) Should the flue not extend past the apex, the bottom opening of the flue should extend at least 200 mm from the roof (or 300 mm in regions with heavy snow).
- 2) The installation of a flue into a carport is not recommended.
- 3) The flue terminal will get very hot when in use. Precautions should be taken to protect people and animals from injury.

C7 Running the Flue

IMPORTANT: A 50 mm clearance to combustibles must be maintained from the exhaust flue for the first 1.2m of flexi flue from the appliance (see diagram below).

Run the 100 mm and 75 mm flexible aluminium hoses from the cavity to the rear of where the horizontal or vertical powerflue terminal will be installed. Allow enough stretch in the flexible aluminium flue to allow it to protrude through the wall/ceiling/roof/flue liner to enable it to be connected to the powerflue terminal. The flue should be expanded at each end in order for the flue to be attached to the fire/powerflue. It is advisable to secure the flexi flue at regular intervals to prevent vibration, movement and sagging. Steel wire or 'builders strapping' may be used for this purpose.

NOTE: The flexible flue is shipped in a 'compressed' form. Extend it to your desired length by stretching.



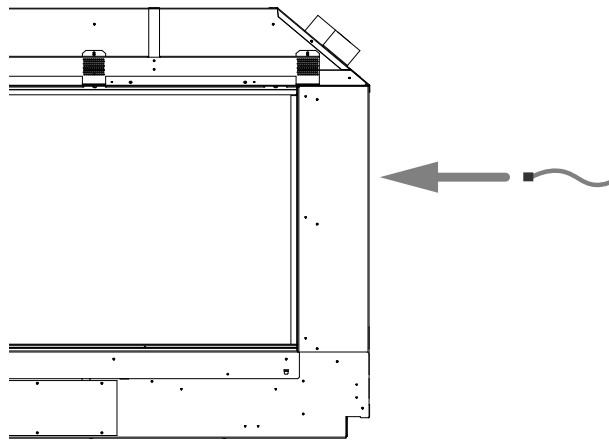
C8 Running the Powerflue Electrical Cable

NOTE: The powerflue terminal is powered from the appliance and must be connected to the appliance with the supplied electrical cable only.

IMPORTANT: Ensure that the appliance power supply is disconnected before making the connection to the terminal

The supplied electrical cable is 7 metres long; flue extension kits also include a powerflue electrical cable extension.

Run the electrical cable from the installed KWU to the hole in the outside wall. Ensure it is not draped over, or in contact with, the outer shell of the appliance or the flues. The cable must be kept clear from any other possible heat sources, sharp edges, or moisture. Fix it appropriately and allow enough cable to be able to pull both the appliance and the powerflue terminal out from their installed positions.



IMPORTANT: If you do not connect the powerflue electrical cable to both the fireplace and the powerflue, this will result in an error when the fireplace is turned on.

IMPORTANT: Test the fan before continuing with the rest of the installation.

END OF SECTION C

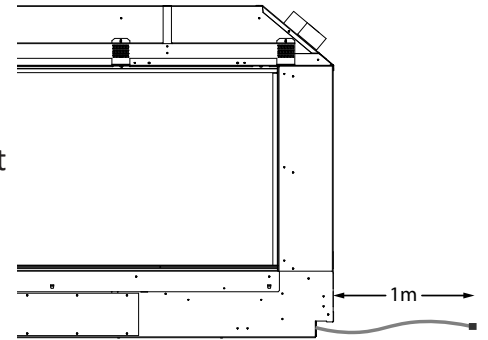
- By the end of this section, you should have:
- A weather-tight installed powerflue terminal with clearance as specified by AS/NZ5601
- Reasonable access to the terminal for maintenance purposes
- Flue attached to the powerflue terminal leading back to the appliance with the correct flue clearances
- The electrical cable from the powerflue terminal run back to the appliance location in an electrically safe manner

D INSTALLING THE ELECTRICITY AND GAS TO THE APPLIANCE

D1 Power Supply

Before the KWU is installed, consideration must be given to the location of an appropriate power supply. An earthed 230/240 volt mains power connection (typically a standard 3 pin outlet) must be available within 1m of the bottom right of the appliance (bottom left for a RH corner).

This connection must be accessible after the heater has been fully installed so that the appliance can be safely disconnected from the mains power supply prior to servicing.



A mains isolation switch (compliant to AS:NZS 5601 Clause 6.2.8) which is accessible from outside the cavity can also be used to disconnect the power.

Regardless of the method used, it **MUST ALWAYS** be possible to safely isolate the electrical supply to the appliance after it has been fully installed.

This appliance must not be located immediately below a socket outlet. This appliance will draw a maximum of 2 Amps from a 230/240 V supply. No additional power supply is required for the power flue.

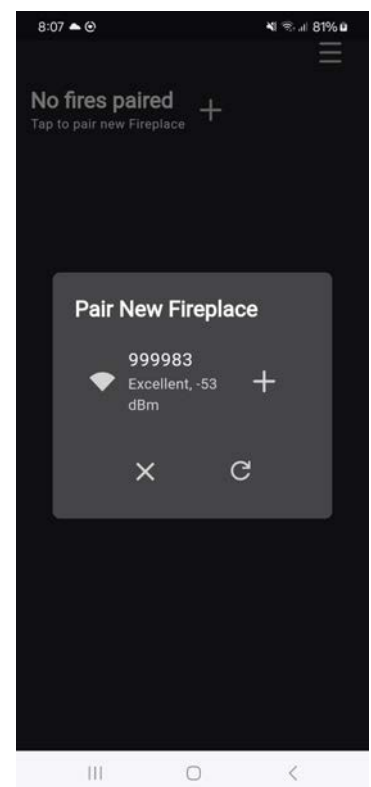
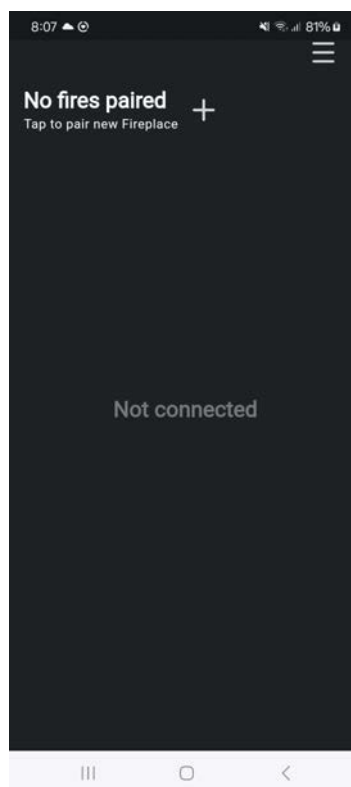
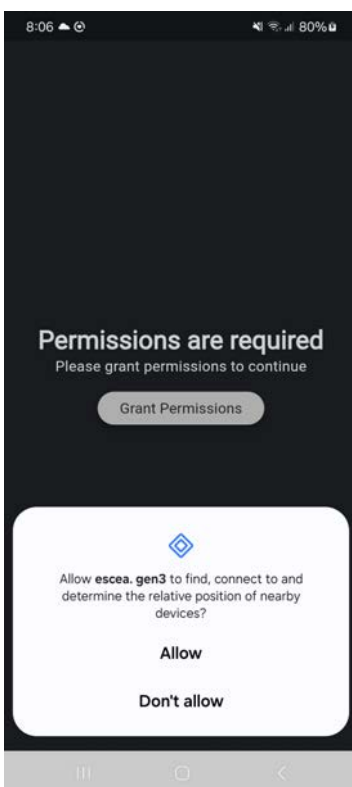
An electrical wiring diagram is located underneath the electronic tray, on the rear of , and also in the rear of this manual (Section S14 on page 76).

D2 Pairing Fireplace to Escea Smart Heat App

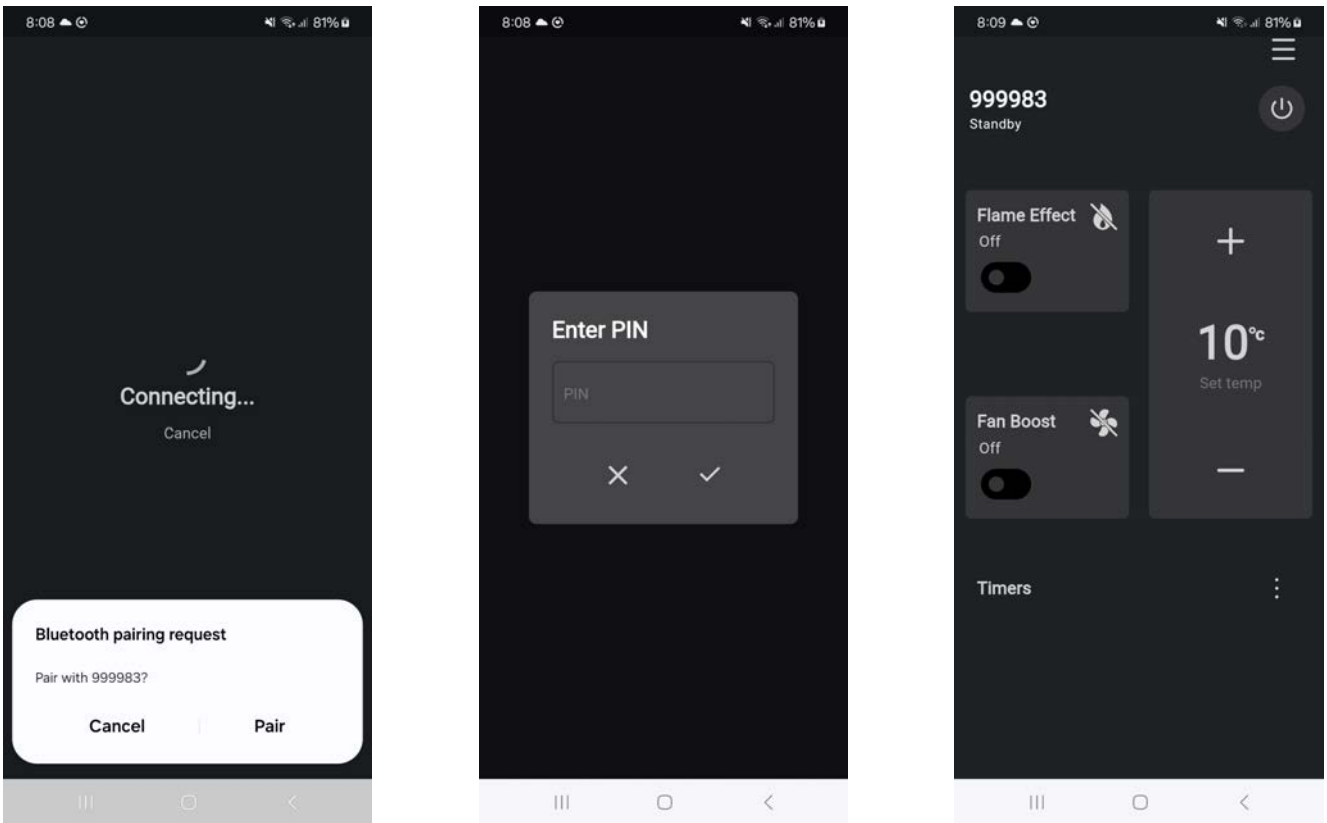
Download and install the Escea Smart Heat App

Ensure the fireplace and remote have been powered on, then follow the on screen instructions (see below) to connect the unit to the app.

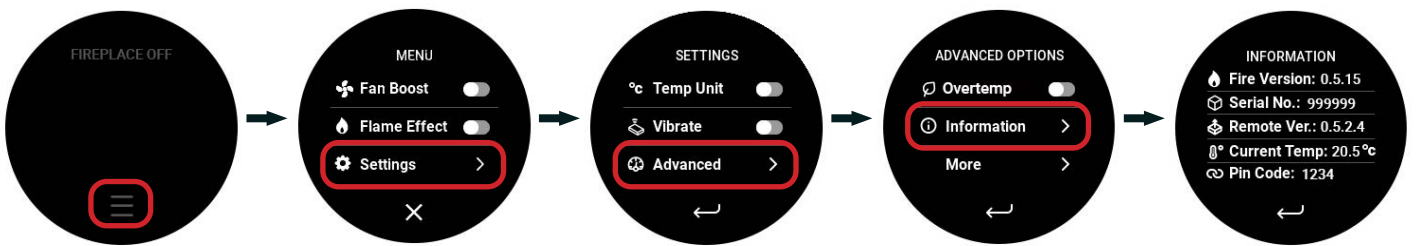
NOTE: TO WAKE THE REMOTE YOU MUST CHARGE USING AN USB-C CONNECTION CABLE.



Once the fireplace has been found, you can pair this to your device by entering the PIN found within the settings menu on the remote control or the information card supplied within the remote packaging.

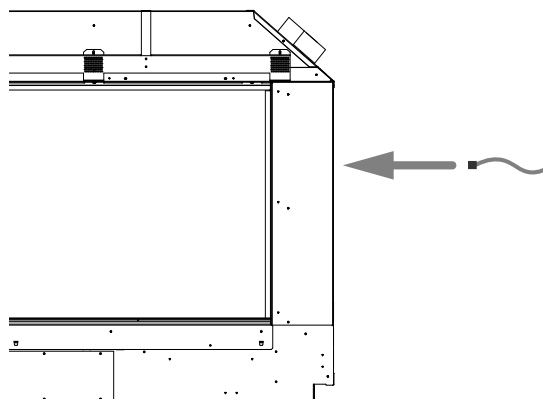


Fireplace information (PIN and Serial) can be found within the remote control menus (see below)



D3 Home automation setup (optional)

A home automation connection cable has been supplied. If this feature is desired connect it to the appliance next to the power flue cable. For more information see section E8.



D4 Gas Supply

Escea does not condone using a 9kg bottle as the main gas supply for an Escea fire. Doing so could result in a dirty or poor flame and produce excess soot build up.

D5 Gas Pipe Sizing

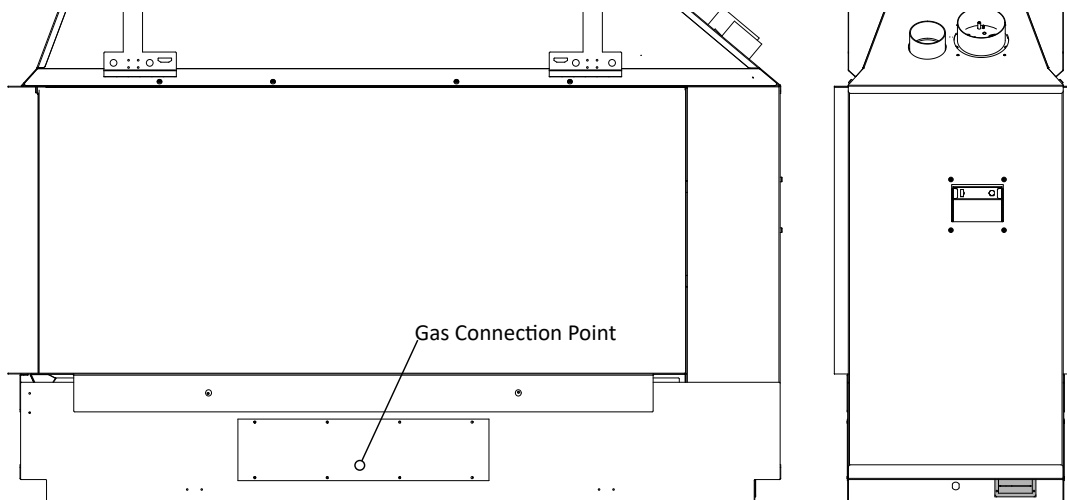
Gas pipe should be sized as per the requirements of AS/NZS 5601. The pipe sizing must be sufficient to deliver the following volume of gas to the heater with all other gas appliances in the home running at the same time:

MAXIMUM KS1460 CORNER/PENINSULA NATURAL GAS CONSUMPTION = 41 MJ/HR

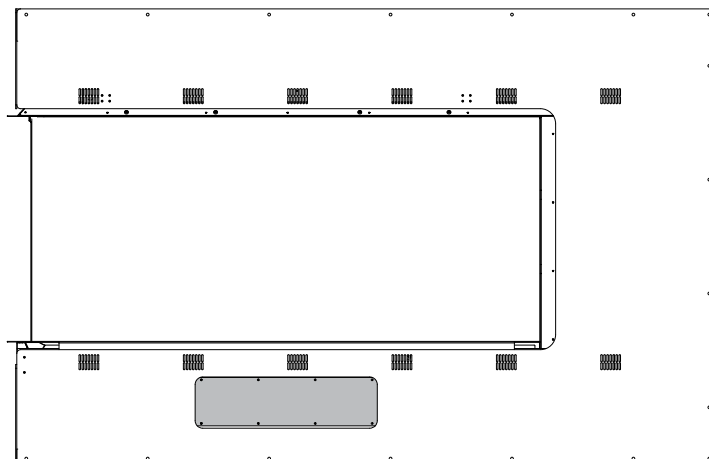
MAXIMUM KS1460 CORNER/PENINSULA ULPG/PROPANE CONSUMPTION = 38 MJ/HR

D6 Gas Pipe Position

The gas connection is inside the appliance and is $\frac{1}{2}$ " male BSPT on the lower right of the appliance as shown below. Access is through the silicone grommet shaded below on the RH side of the chassis (left for RH corner).



Access for connecting the gas supply to the gas connection point (shown in the diagram above) should be through the access hatches located on the front and back of the appliance (the front as shaded in the diagram below).



D7 Gas Isolating Valve

As per AS/NZS 5601 it is recommended that a gas isolating valve be installed prior to the inlet of the fire for servicing in the future.

It is recommended to install a gas isolating valve as close to the appliance as possible when installing your Escea gas product. Fix it in a convenient position to allow it to be closed easily during operation. Consider access once wall linings have been fixed. In some instances, a gas isolation valve will not be able to be fitted due to physical limitations and access points. In such a situation it is acceptable to place a valve closer to the gas meter or use the gas meter as the isolating valve during service work and install.

END OF SECTION D

- By the end of this section, you should have:**
- An unlined KWU with 230/240 V AC supply that the appliance can be plugged into an electrical isolating switch that is accessible once the appliance is installed**
- A suitably sized gas supply to the right hand side of the appliance with a pressure test point, ready to be connected once installed**

E INSTALLING THE APPLIANCE

WARNING!

THE FOLLOWING INSTRUCTIONS MUST ONLY BE UNDERTAKEN BY A SUITABLY APPROVED PERSON. ANY TAMPERING BY AN UNAUTHORISED PERSON WILL VOID THE PRODUCT'S WARRANTY AND MAY RESULT IN A DANGEROUS CONDITION.

E1 Connecting the Flue

Access the top of the appliance and connect both the inlet flue (75 mm ID / 85 mm OD) and the exhaust flue (100 mm ID / 110 mm OD) to their respective spigots. Tighten the hose clamps onto the spigots. Ensure the flue connection is air tight. Sealant is not required.

IMPORTANT: The flue connection MUST be secured with the clips provided and tape MUST NOT BE USED. If any of the flue pipe is damaged and integrity compromised then it should not be repaired with tape, it should be replaced.



E2 Installation

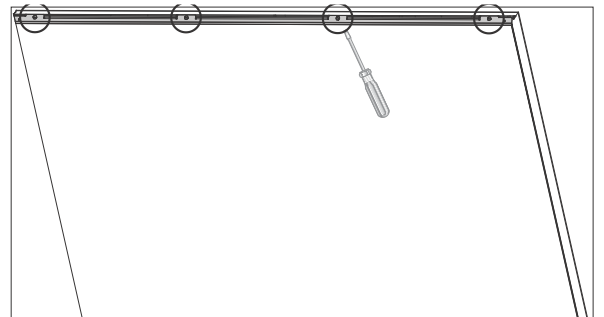
Insert the gas fire into the KWU. It is a requirement that this appliance be securely fastened at the base.

WARNING!

ENSURE THAT THE FIRE IS SEISMICALLY RESTRAINED IN THE KWU.

E3 Removing (and Replacing) the Glass

First remove the bottom and side trims, these are held in place with magnets so will come away easily. Take care not to scratch the paint. Then remove the glass by unscrewing the four 1/4 turn fasteners located at the top of the glass (circled) and remove the bracket (shaded grey). Attach the provided suction cups and use them to handle the glass. Slide the glass towards the open end of the fireplace, then allow the glass to lean towards you and carefully lift it out. Be aware that the glass is heavy and caution should be used while moving it.



Place the glass carefully aside. Note that any soot on the glass can mark carpet and furnishings.

IMPORTANT: When replacing the glass, check the channel that the glass sits in for debris. Remove any debris prior to placing the glass. If you feel resistance when leaning the glass towards the fireplace, remove it and double check for debris in the glass channel.

WARNING!

TRYING TO PLACE THE GLASS WITH DEBRIS IN THE GLASS CHANNEL MAY RESULT IN THE GLASS BREAKING.

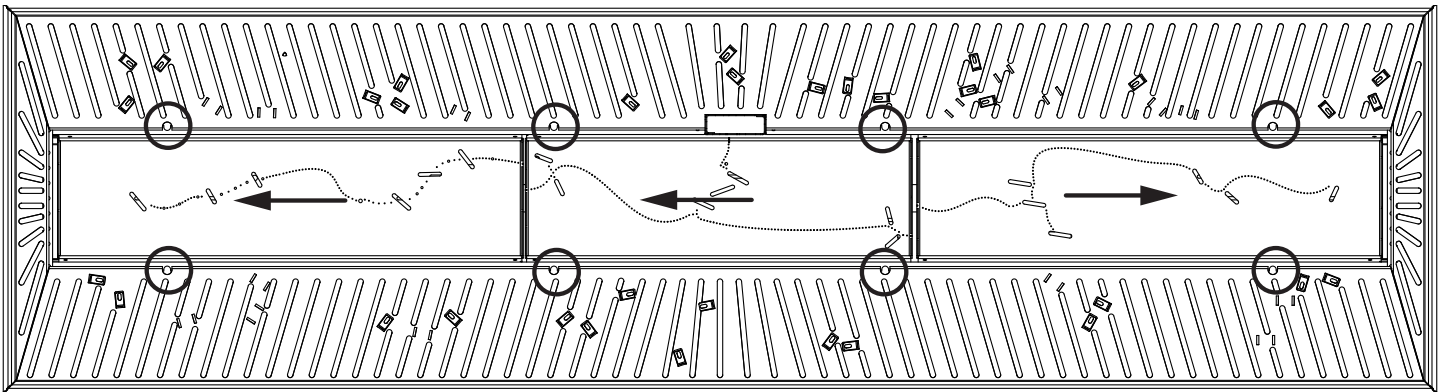
E4 Removing (and Replacing) the Infill & Burners

The infill is specific to the different fuelbed options (see section F). The side burners are made left hand and right hand and can only be installed in the correct position with a go - no go tab system (seen below).

Ensure that the gas jets and burner collars are appropriate to the gas type using the tables on page 40. For gas type conversion, proceed to "E6 Gas Type Conversion" on page 40.

IMPORTANT: Take care not to scratch the firebox paint or glass while handling parts.

Remove the infill first by removing the 8 screws circled below, lift one end out first, then gently lift the other. (When replacing, ensure the pilot shroud sits around the pilot.)



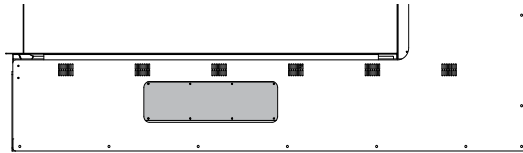
Remove the burners by sliding them in the direction of the arrows (above). Start with both sides before removing the centre burner.

To replace the burners and infill, reverse the steps above, placing the centre burner before the sides.

E5 Checking the Gas Operating Pressure

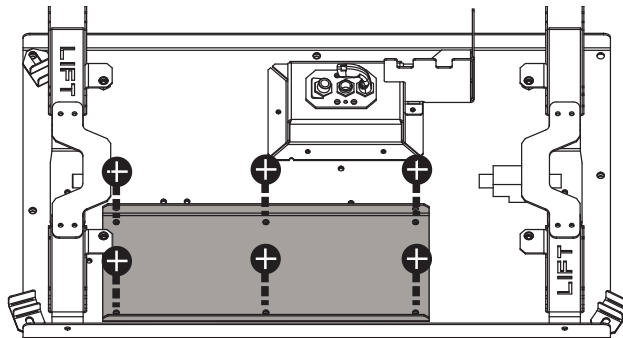
Check the inlet pressure upstream of the appliance using the test point installed earlier.

If the wallboard has not been installed, the regulator, valve, and test points can be accessed without removing the glass, infill, or burners by removing the hatch at the bottom front of the fire.



Otherwise, the regulator, valve, and test points can be accessed through a hatch inside the firebox:

- Follow the instructions in “E3 Removing (and Replacing) the Glass” on page 35.
- Follow the instructions in “E4 Removing (and Replacing) the Infill & Burners” on page 36.
- Remove the access panel on the gas tray by removing the 6 screws indicated below.



WARNING!


THE REGULATOR THAT IS SUPPLIED WITH THE FIRE MUST NOT BE REMOVED. REMOVAL OF THE REGULATOR, OR REPLACING IT WITH ONE NOT INTENDED FOR USE WITH AN ESCEA FIRE, WILL VOID THE LIMITED APPLIANCE WARRANTY AND MAY BE DANGEROUS.


WARNING!

IF USING THE HATCH INSIDE THE FIREBOX TO ACCESS THE REGULATOR, VALVE, AND TEST POINTS, TAKE CARE WORKING CLOSE TO THE OPEN FLAME OF THE BURNERS.

The gas valve (see image) has manometer test points at A and B. Test point A is used to measure the operating pressure - post-regulator and test point B is used to measure the operating pressure on high and low. (See “Gas Pressure Table - KS1460 Corner/Peninsula” on page 38)

Turn the gas and power supplies ON.

Turn on the fire by pressing the ‘’ button on the remote. Within a few seconds the appliance will begin its startup sequence with a 30 second purge of the flue fan. After the purge it will attempt ignition. It may take several attempts to light the first time due to air in the gas line.

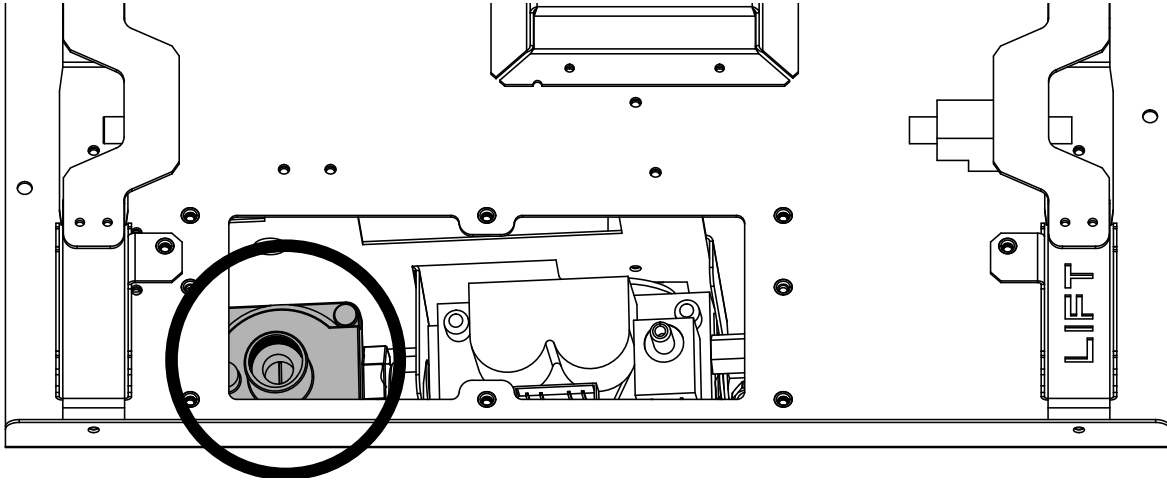
Once the fire has lit the pilot and main burner you will be able to measure the operating pressure. Set the remote thermostat temperature to 40°C by pressing ‘’ on the remote touch screen and ensure the remote is kept in a cool environment. This will allow maximum gas flow into the appliance.



Ensure all other gas appliances within the house are still able to operate at maximum.

Open test point A and attach a manometer tube to measure the operating pressure—post regulator.

If the operating pressure does not read within 5% of the table, remove the cap from the regulator (shaded grey in image below) and adjust the threaded spring stop. Press the '⏻' button again to shut down the fire.



Once the operating pressure—post regulator—is set, remove the manometer tube from test point A. Be sure to close test point A. Open test point B and attach a manometer tube in preparation for measuring the operating pressure on high and low. This will be done together with changing the operating pressure from the APP (see next page).

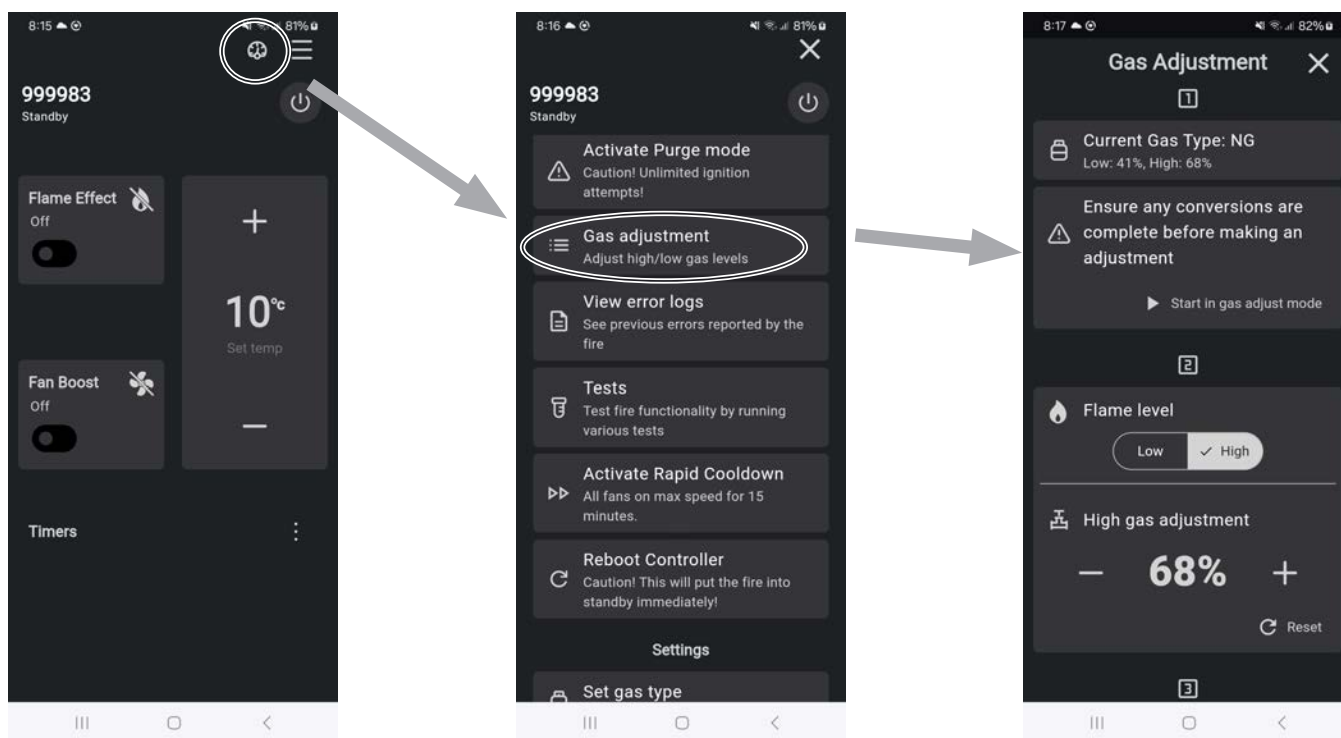
NOTE: It is also possible to measure the operating pressure on high and low by attaching a manometer to one of the side burner jets. The measured pressure at the jet is generally slightly lower than at the test point. If this is done, TAKE CARE to have the middle and other side burner installed, otherwise gas may collect in the firebox, creating unsafe conditions.

Gas Pressure Table - KS1460 Corner/Peninsula	Gas Type	
	Natural Gas	ULPG/ Propane
Minimum Inlet Pressure - Pre-Regulator	1.13 kPa	2.75 kPa
Maximum Inlet Pressure - Pre-Regulator	5.00 kPa	5.00 kPa
Operating Pressure - Post-Regulator (Point A)	1.00 kPa	2.30 kPa
Operating Pressure on High - (Point B)	0.75 kPa ±5	1.66 kPa ±5
Operating Pressure on Low - (Point B)	0.42 kPa ±5	0.80 kPa ±5

Changing the Operating Pressure (Service Mode - APP ONLY)

While the remote is in its “OFF” mode with only the time showing on the display, use the service-mode login to enter gas fitter settings. Tap “Gas adjustment”. Follow the on screen prompts to start the fire in gas setting adjust mode. Fireplace must be connected to the APP (see section D2).

NOTE: IF YOU REQUIRE A SERVICE-MODE LOGIN PLEASE FOLLOW STEPS IN SECTION S4



WAIT! Allow the appliance to fully light all burners before continuing.

The high setting for the currently set gas type is displayed first. Pressing the ‘+’ or ‘-’ keys will change the setting up or down, respectively, which will change the gas pressure measured at point B.

NOTE: The numbers displayed on the APP should only be used to achieve the correct pressure. The numbers by themselves do not represent anything and should not be relied upon.

Toggling to the low setting is done by pressing the “Low” button. Adjustments are made with the ‘+’ and ‘-’ buttons as above.

NOTE: When setting low, allow a tolerance of ± 0.05 kPa

When pressures are set, exit this mode.

NOTE: This is a powerful gas heater that, on the lowest setting (effect only), will still generate approximately 50% heat.

IMPORTANT: Ensure that the test points are CLOSED and the hatch is replaced before re-assembling the fire.

E6 Gas Type Conversion

This appliance can be configured to operate on NG, ULPG, or Propane. If gas type conversion is required, please contact an Escea dealer to request the required parts.

Gas Specific Configurations

	KS1460 Corner/Peninsula				
	Jets			Burner Collars	
	Middle Burner	Side Burners	Pilot	Middle Burner	Side Burners
Natural Gas	2.10 mm	1.80 mm	#37	2 x 4.5 mm	1 x 3.5 mm
ULPG	1.20 mm	1.05 mm	#27	Spacer	2 x 13 mm
Propane	1.20 mm	1.05 mm	#27	2 x 8mm	1 x 4 mm

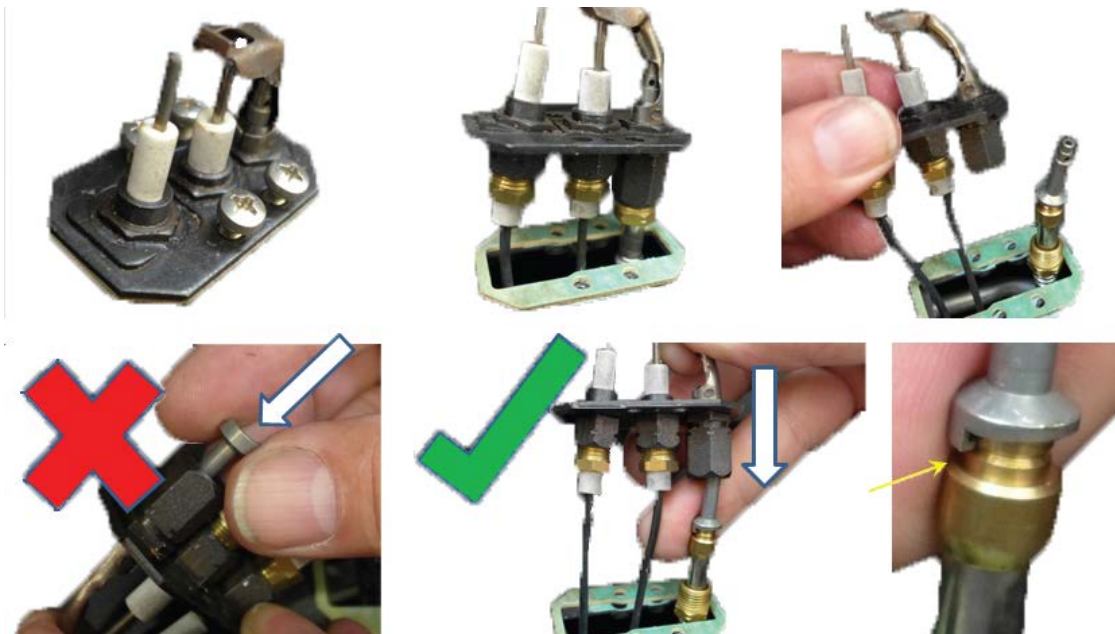
WARNING!

TURN THE GAS AND POWER SUPPLIES OFF.

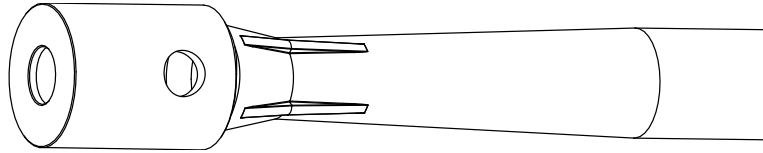
Follow the instructions outlined in “E5 Checking the Gas Operating Pressure” on page 37 to access the burners, jets, and regulator.

Change the burner jets and the pilot jet to those supplied in the kit set (see table above).

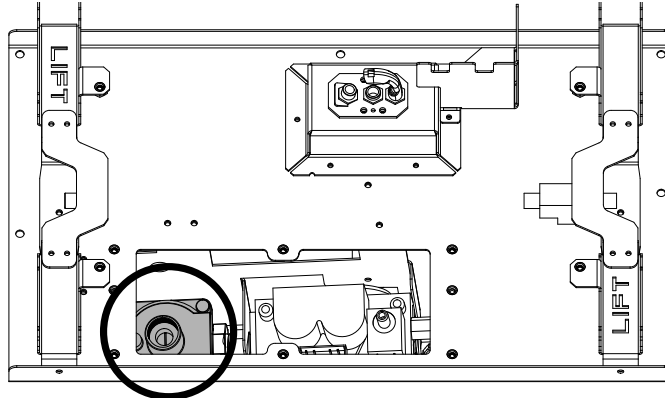
NOTE: Ensure the pilot jet is joined up to the olive before inserting the jet into the pilot assembly (as shown below).



Change the burner collars to the ones supplied in the kit set (see table above).



Screw out the nylon adjuster screw inside the regulator to remove the existing spring. Replace the spring with the one supplied in the conversion kit and reassemble the regulator.



Stick the new gas type label supplied in the kit set on the underside of the tray hatch. Ensure the serial number and date of manufacture are still visible. Write your name, company (if appropriate) and date of conversion on the new label with permanent marker.

Ensure the gas supply is still OFF, turn the power supply ON.

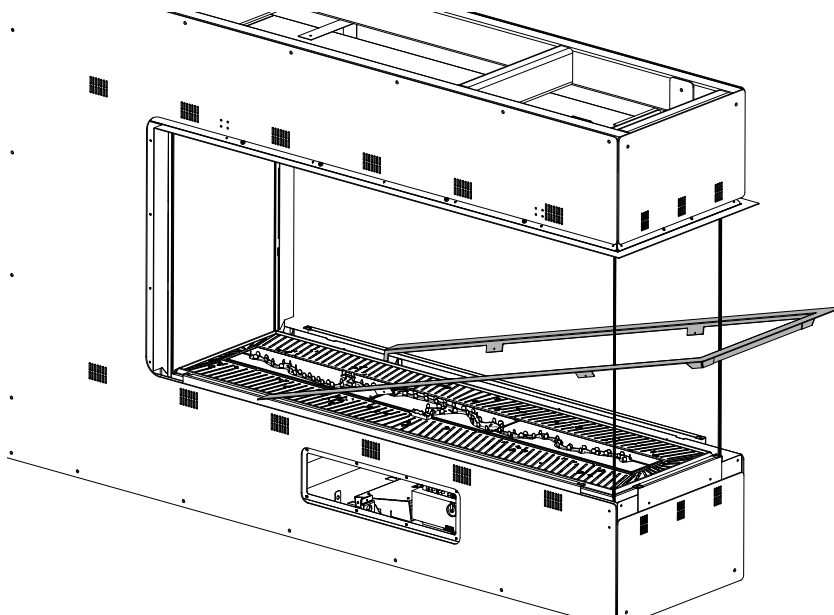
Change the operating pressure.

IMPORTANT: It is necessary to check and calibrate the operating pressures after doing a gas type conversion. This can be done by following the instructions in “E5 Checking the Gas Operating Pressure” on page 37.

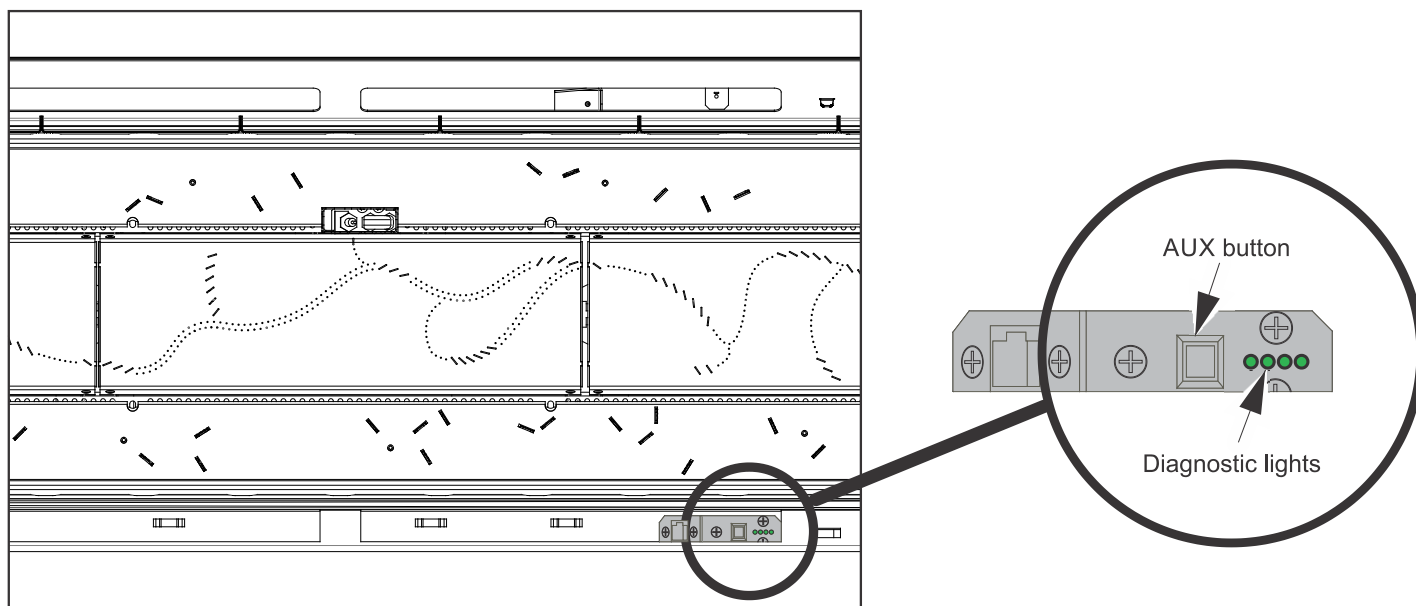
E7 Auxiliary On/Off button

The auxiliary on/off (AUX) button is used to turn the fireplace on without the remote control. For information on pairing a new remote control, see section S6 on page 68 of the service manual at the end of this document.

To access the AUX button, remove the bottom trim by lifting the trim upwards then sliding out (as shown in the diagram below). Take care not to scratch the glass or side trims.



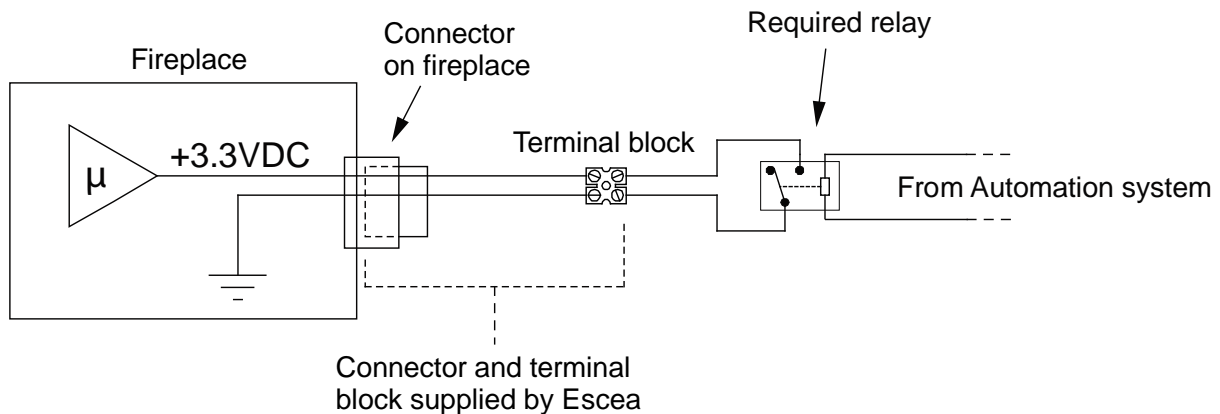
The AUX button location can be seen in the diagram below.



E8 Home Automation Setup - Optional

Escea K-Series fireplaces have a simple interface for connection to a home automation system. This allows the fireplace to be woken up, started, and then shut down. The “Close to Wake” connection (shown below) is essentially taking one of the 3.3 V DC pins on the fireplace micro controller and shorting it to ground.

In order to isolate the fireplace from the automation system, a relay needs to be used (as shown). This allows you to keep the fireplace’s 3.3 V supply isolated.



The home automation connection can be found in your fireplace accessory pack (shown right). Use the green wires for home automation.

This connects to the fireplace via the lower RH outside panel of the fireplace, next to the primary network cable access point, as shown in section D3 on page 32.



Home Automation Operation

Relay closed

The fireplace will start in a medium setting until the remote control talks to the fireplace and picks up the ‘ON’ signal (which can take up to 4 minutes). Once the remote has communicated with the fireplace it will turn on and begin operating thermostatically. The remote will use whatever temperature the user has previously set and cannot be altered by the home automation system. The fireplace will continue to operate while the relay is closed.

NOTE: If the fireplace cannot communicate with the remote within 10 minutes of the relay contact closure then the fireplace will shut down and return to standby. The remote controller is required to be within operating range of the fireplace for its safe operation.

Relay open

If the fireplace is operating with a closed relay then, upon opening the relay contacts, the fireplace will shut down and return the remote controller to its standby mode when it next updates (which can take up to 4 minutes). While the relay is open the fireplace will be in standby mode and available for manual operation by the user.

END OF SECTION E

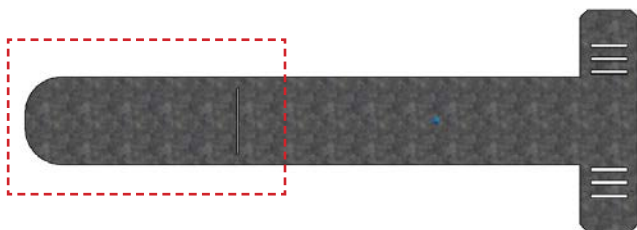
- By the end of this section, you should have:
- The appliance installed in the KWU
- The appliance fixed to the KWU wall lining
- The appliance plugged into a mains electricity supply
- The appliance gas supply attached and pressure tested with all other gas appliances running

F FINISHING THE INSTALLATION

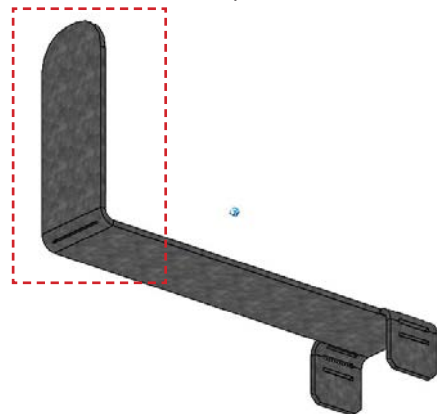
F1 Redwood Logs Fuel Bed Retainer Setup

Before installing logs onto the fire infill, first prepare the integrated infill retainers and the loose log retainers; 103540. The kit includes 15 loose log retainers using finger folds to secure them to the infill and to support the logs.

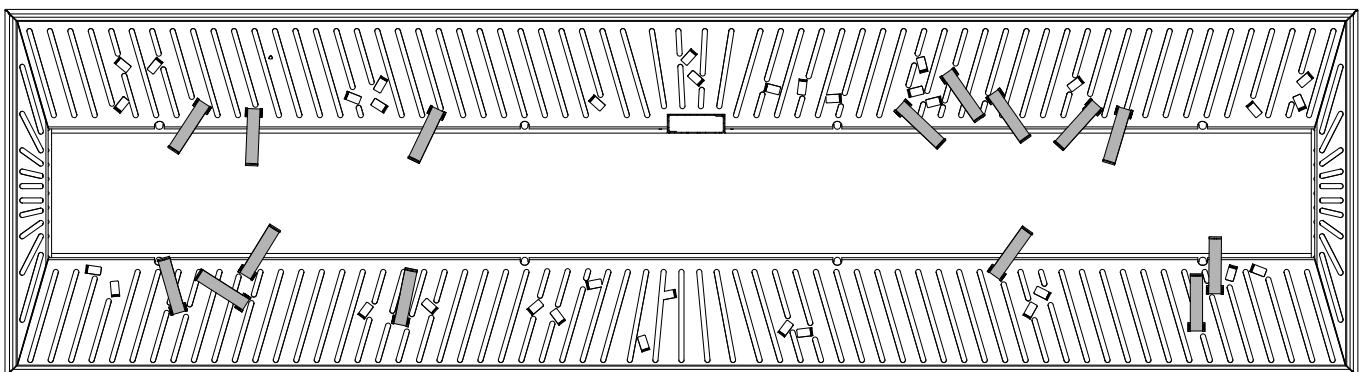
Flat retainer 103540



Folded retainer 103540, all folds 90°



Below: folded integrated retainers.



Integrated retainers flat unfolded.

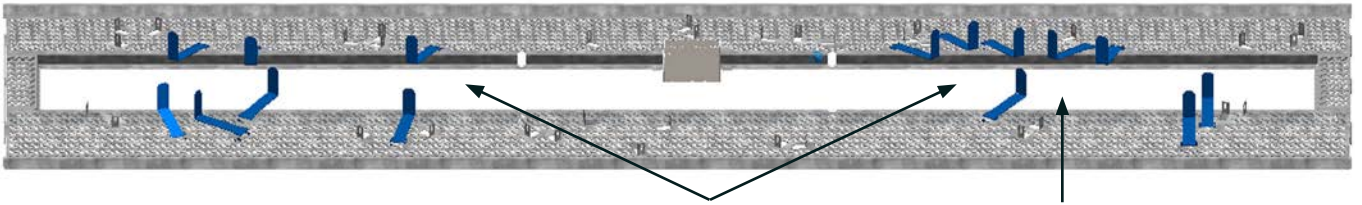


Integrated retainers folded.



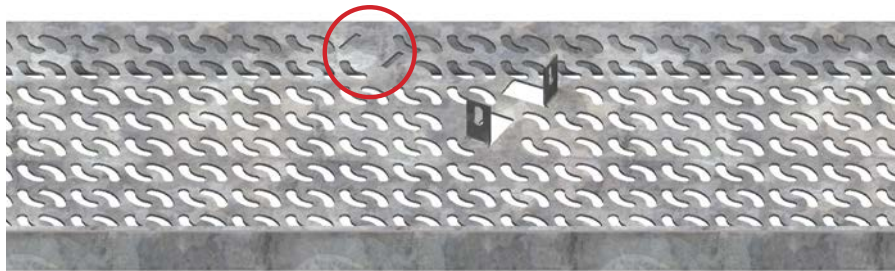
Above: Use a flat blade screw driver inserted into the finger fold slots to lift out the retainer from its flat pattern, all folds to be 90°.

Below: Infill assembly with 15 x highlighted 103540 log retainers. Once folded always orientate the tall vertical fold inward towards the burners as shown below.

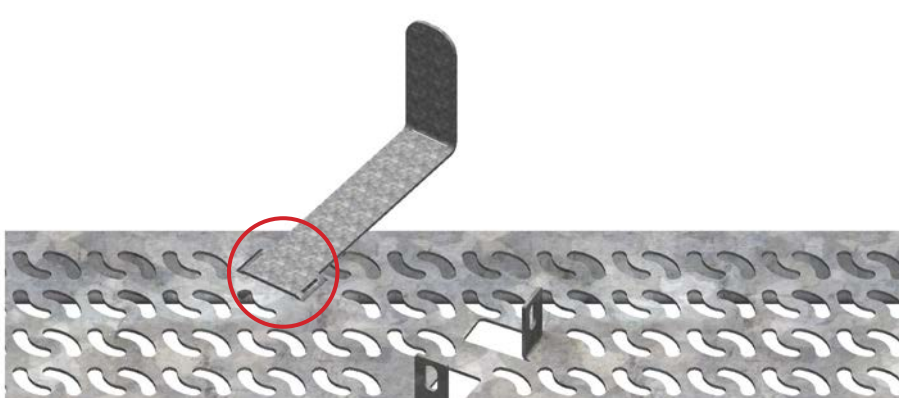


3 x burners in middle of infill not shown for clarity.

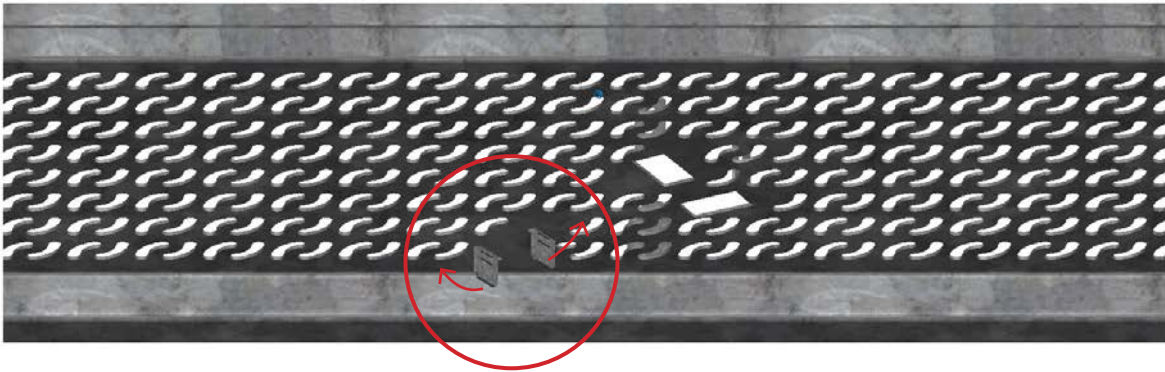
Below: Locate slots for 103540 retainer legs.



Below: Insert 103540 retainer legs into slots orientated towards burners.



Below: Infill underside view- fold over 103540 retainer legs to fix in place on the infill.



F2 Redwood Logs and Embers Installation

Logs must be located correctly as illustrated in this section.

The final log layout should replicate the image shown in Step 3. After the logs have been located correctly, place the embers in a SINGLE EVEN layer around the logs, do not add additional embers use only the quantity of bags provided. The embers must not cover the pilot flame, inside the pilot guard must be clear of embers.

IMPORTANT: Improper positioning of any fuel bed media may create carbon build-up and will alter the units performance. Malfunctions due to improper fuel media placement will not be covered under warranty.

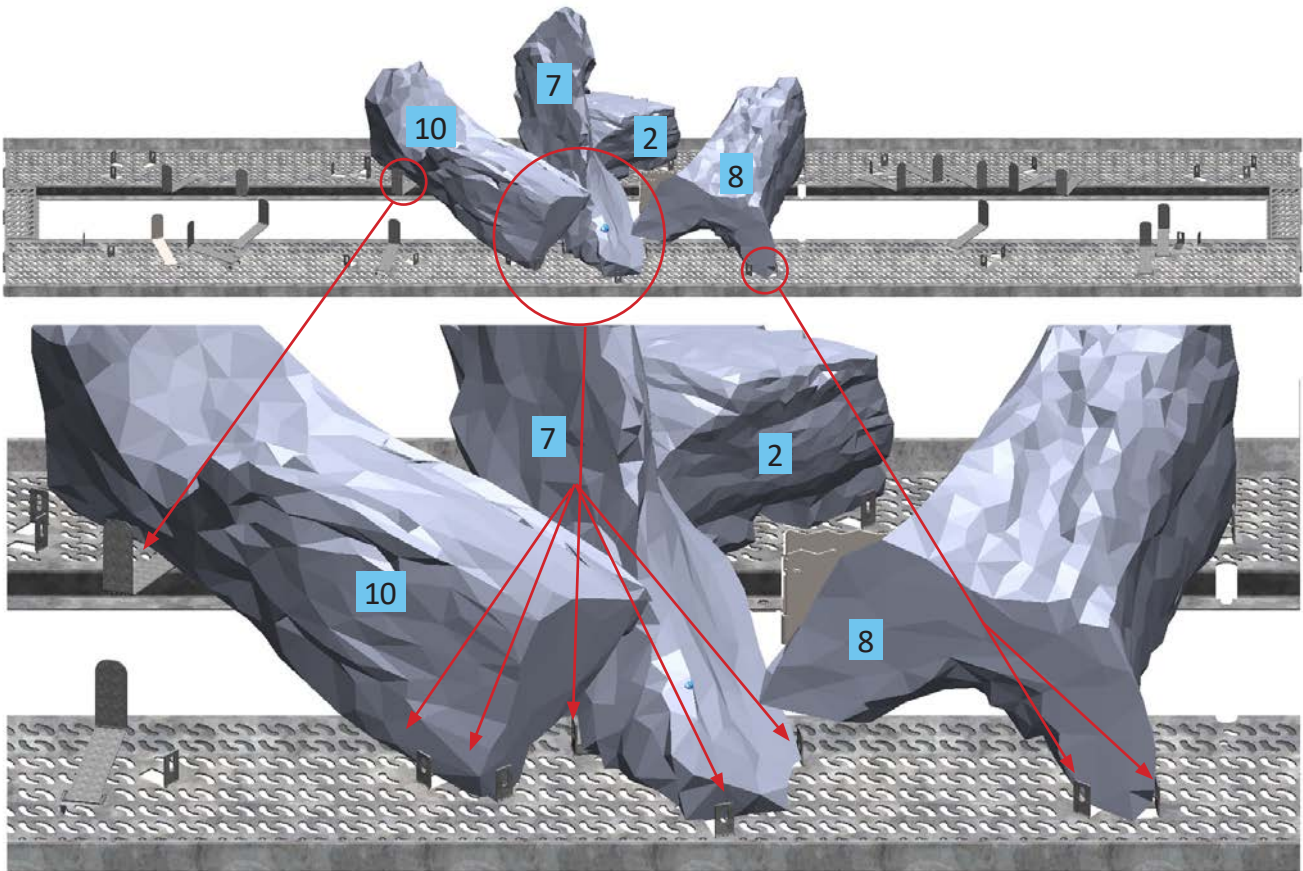
Redwood Log Index



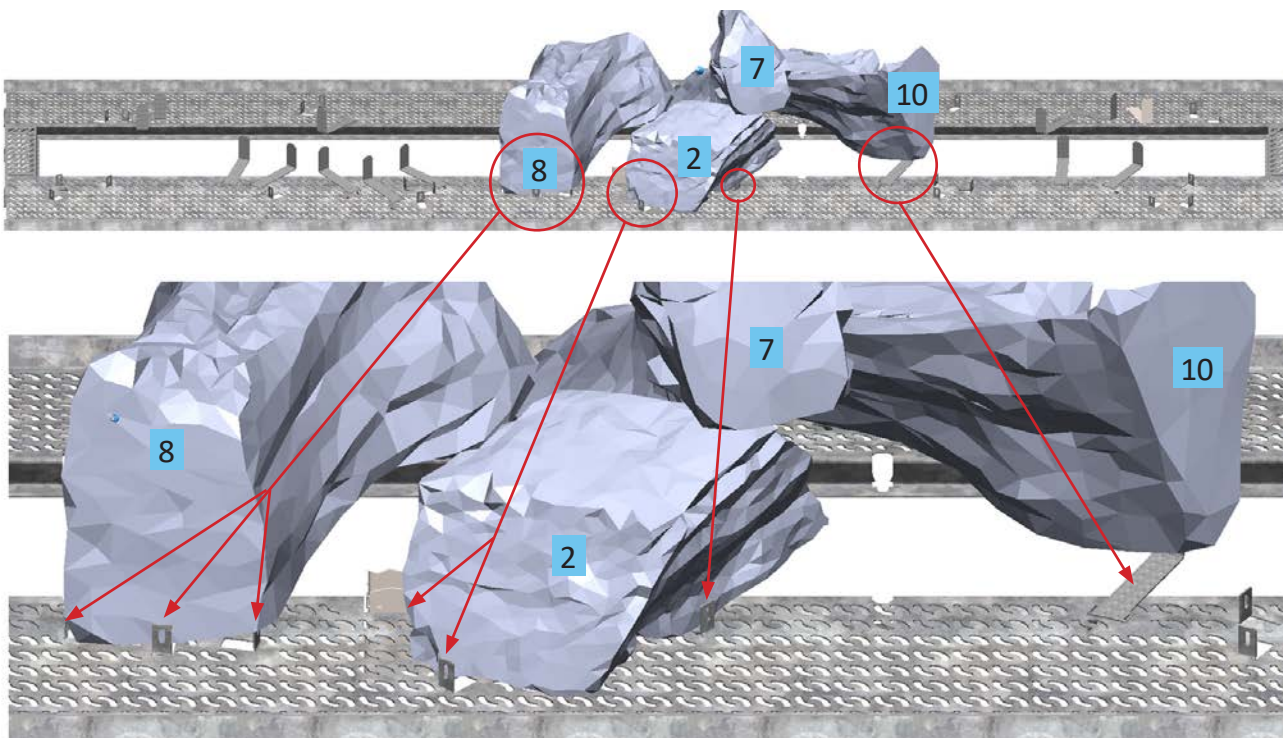
Use the index above as a guide for selecting the correct logs.

Redwood Log Setup

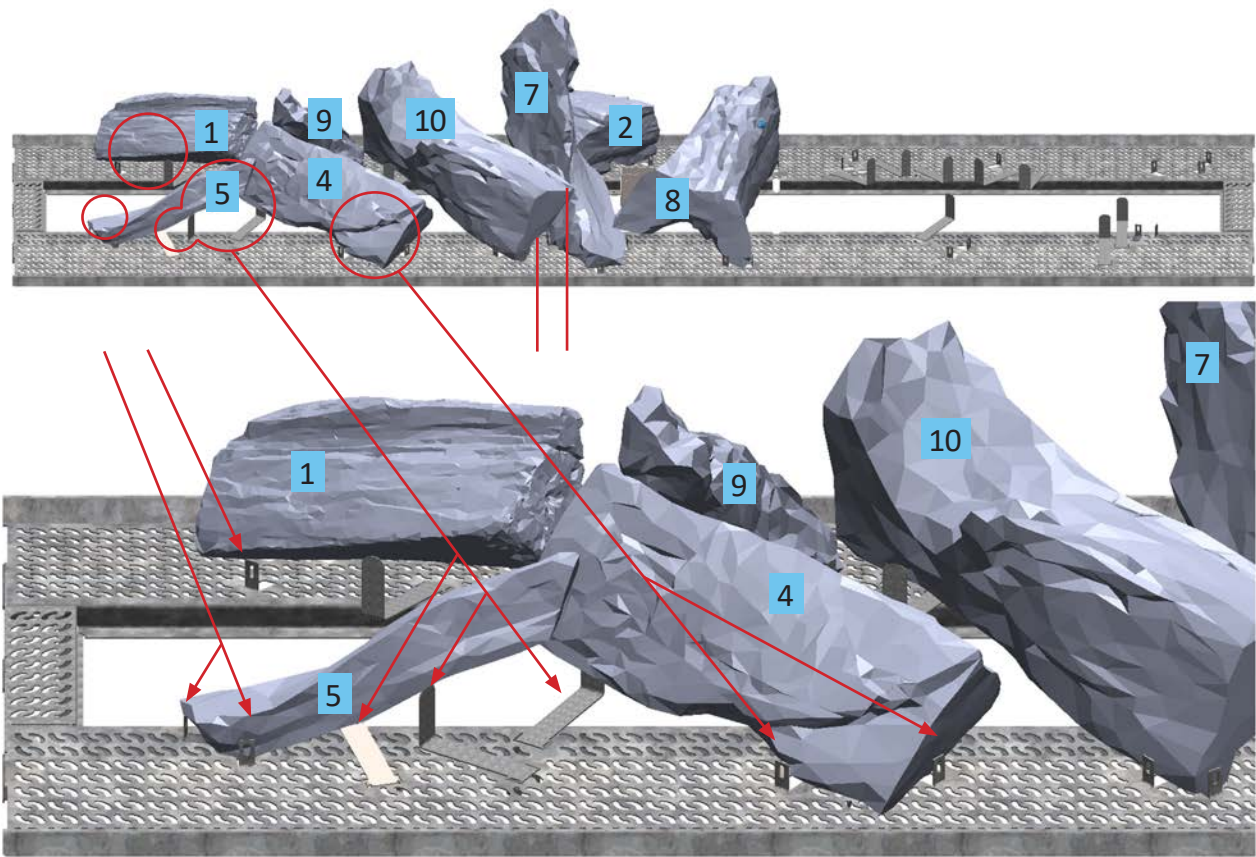
Step 1: front



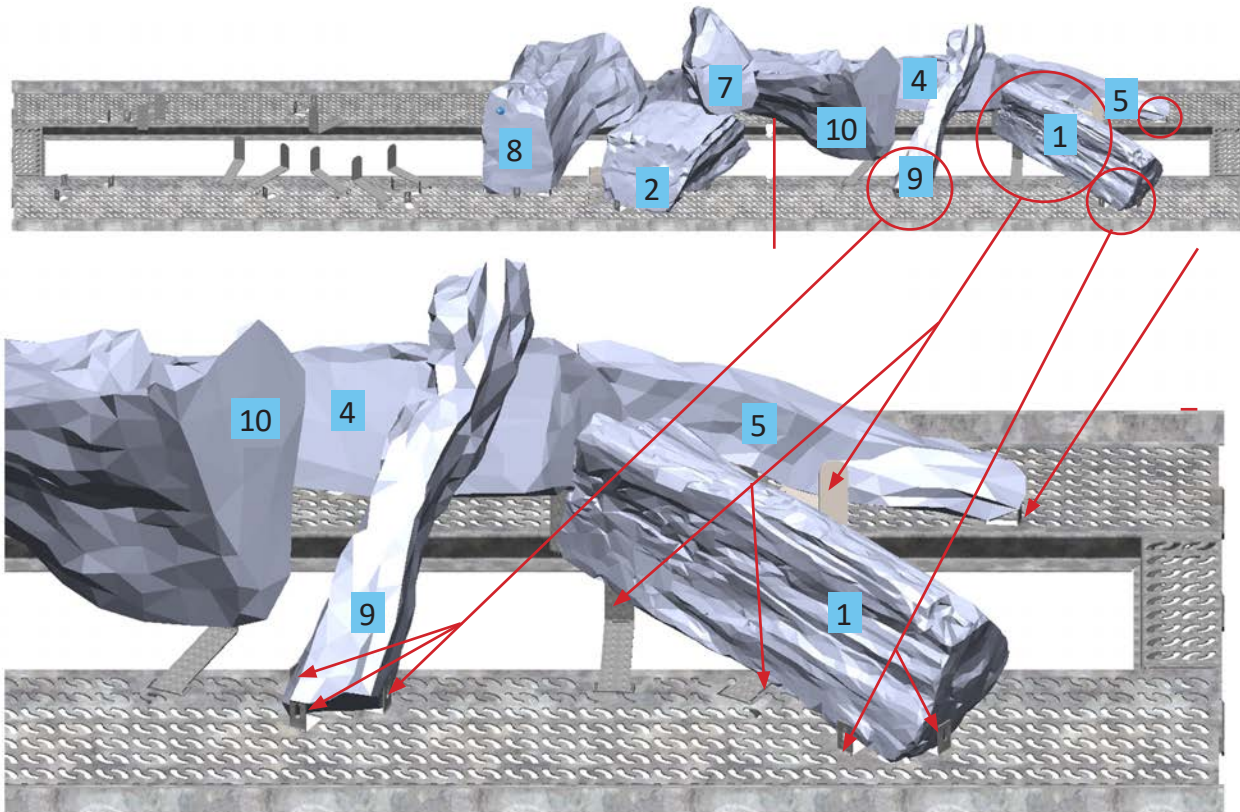
Step 1: rear



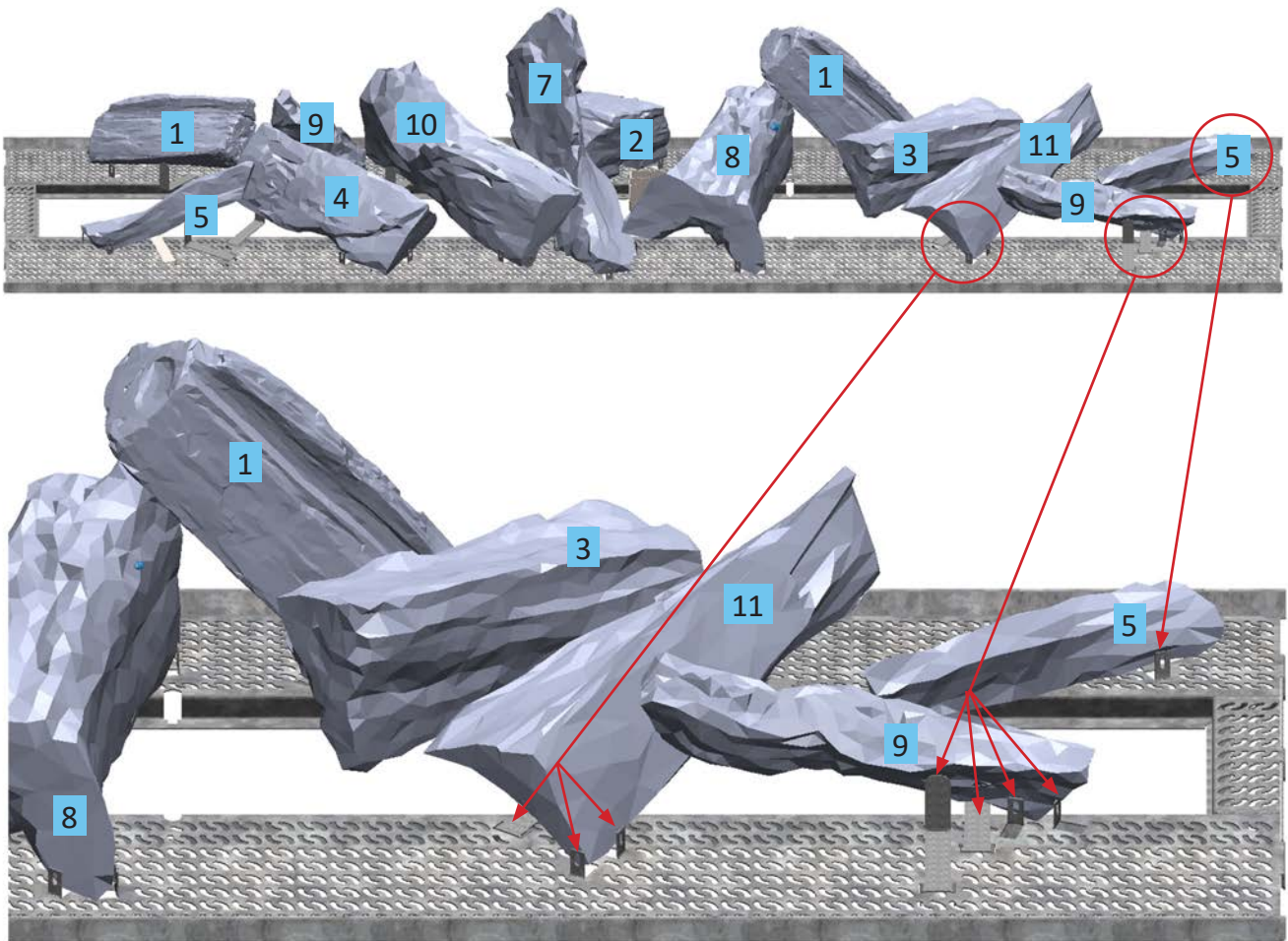
Step 2: front



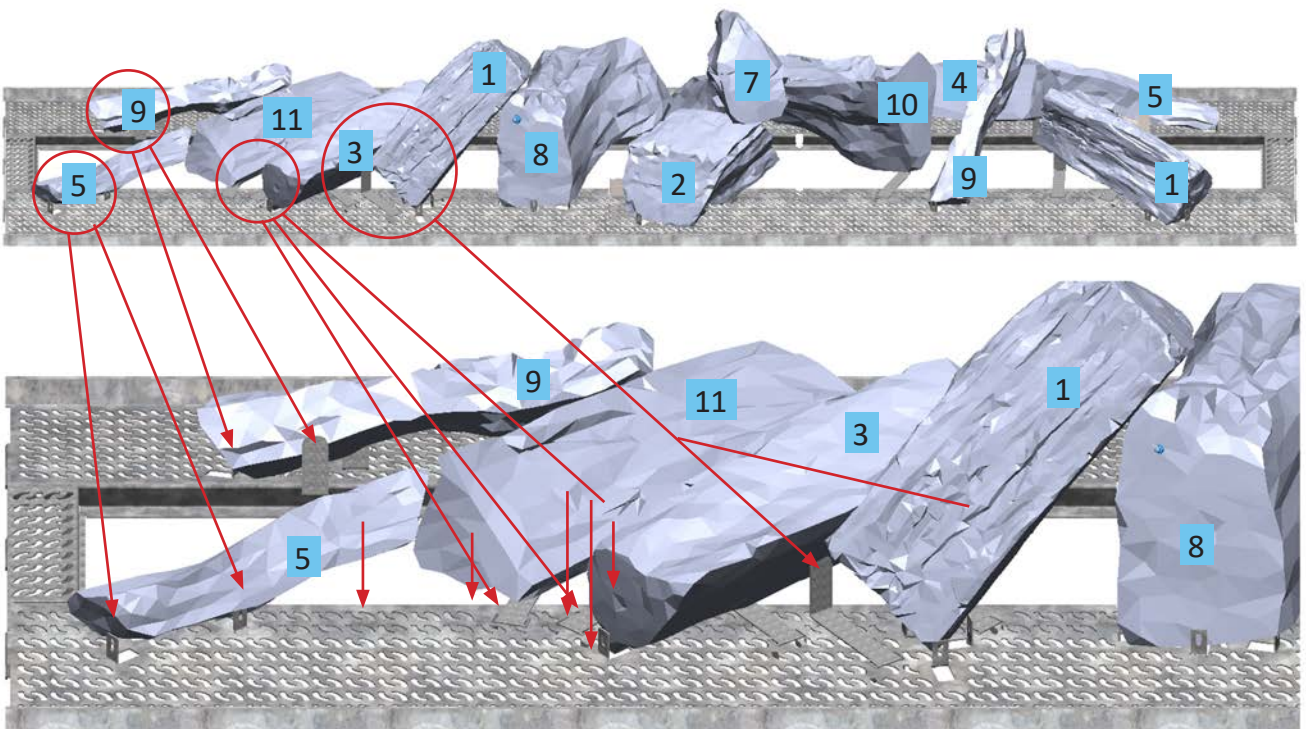
Step 2: rear



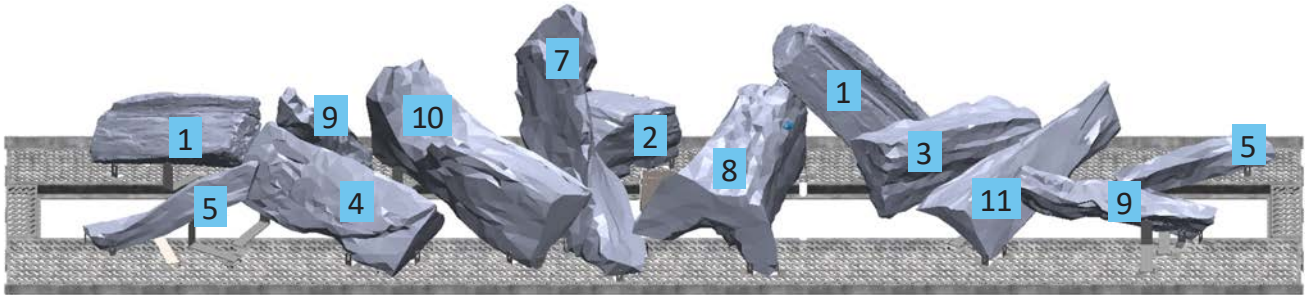
Step 3: Front



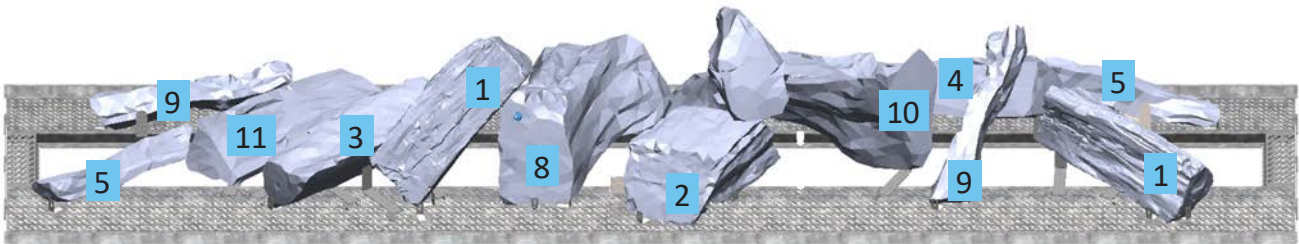
Step 3: Rear



Front appearance of completed Redwood log fuel bed. Ready for embers.



Rear appearance of completed Redwood log fuel bed. Ready for embers.

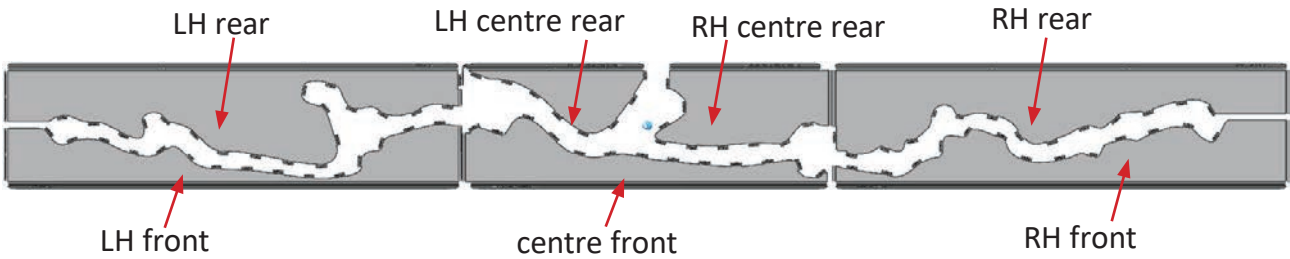


Now place the embers in a SINGLE EVEN layer around the logs over the burners and infill, do not add additional embers use only the quantity in bags provided. The embers must not cover the pilot flame, inside the pilot guard must be clear of embers.

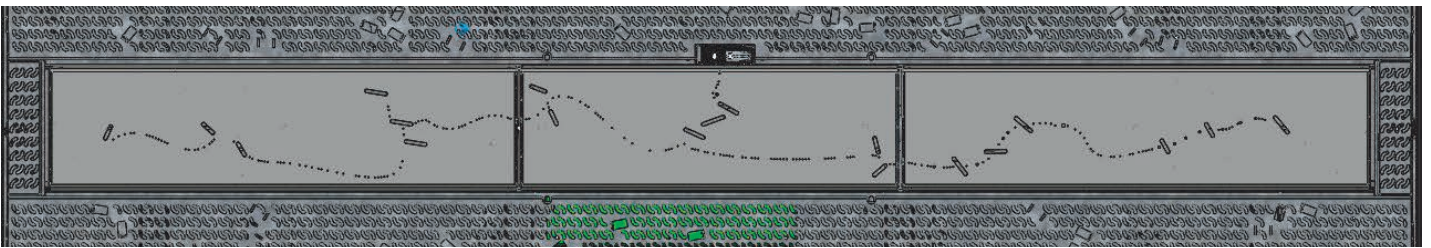
F3 Riverbed Retainers Setup

Prior to beginning Riverbed stone installation it is essential that stone retainers placed over the burners. These retainers ensure correct placement and distance relationship of the stones and shale to the flames and crucially prevent flame impingement which can affect the performance of the product and visual quality of the flame picture. LH = left hand. RH = right hand, see schematic below.

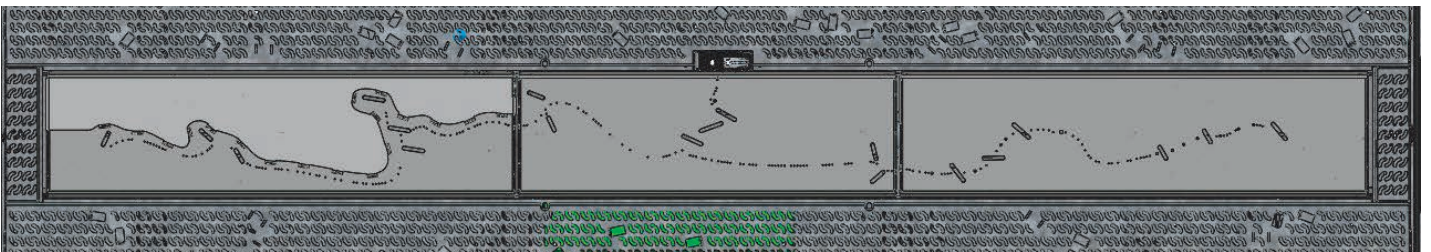
The retainers will need to be folded to fit over the burners and correctly distance the river stones. Fold the large tabs down using the lettering on the retainer to show the correct way up. Fold the small tabs up, away from the large tabs.



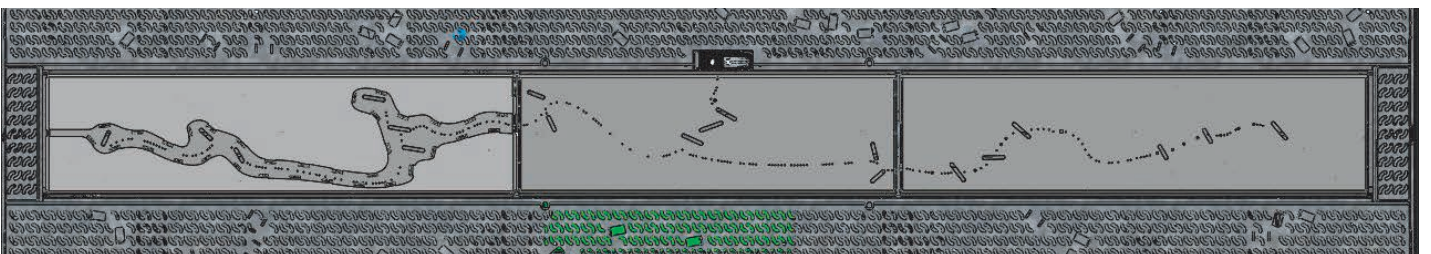
Step 1: Begin with burners uncovered without retainers or fuel bed items



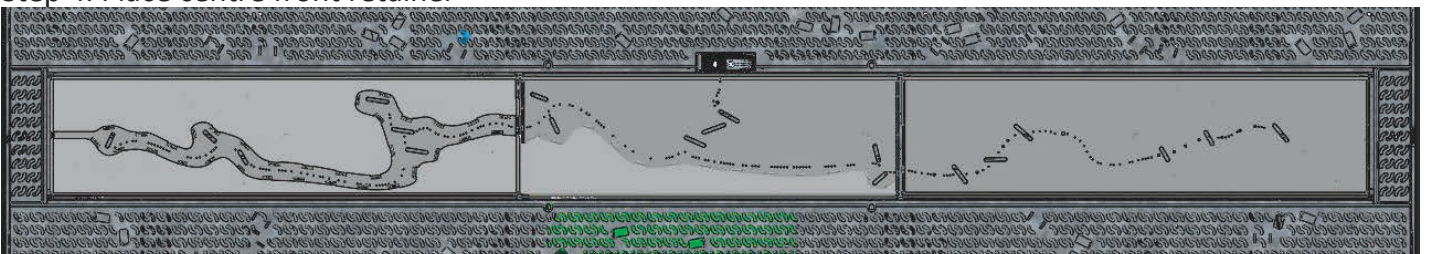
Step 2: Place LH rear retainer



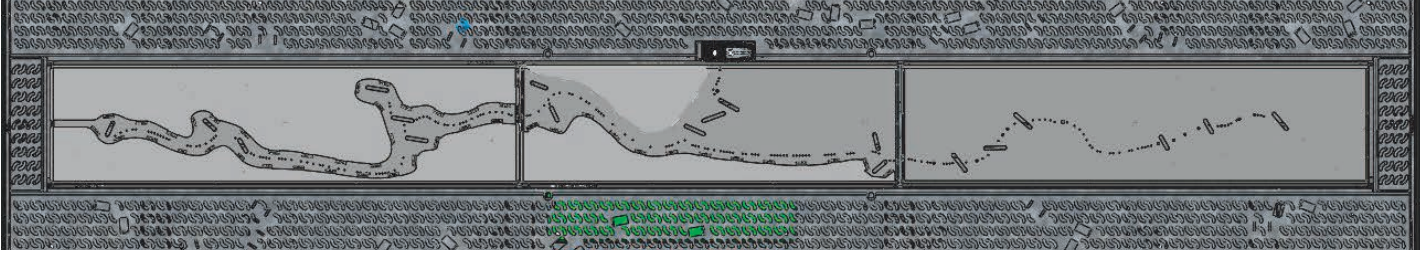
Step 3: Place LH front retainer



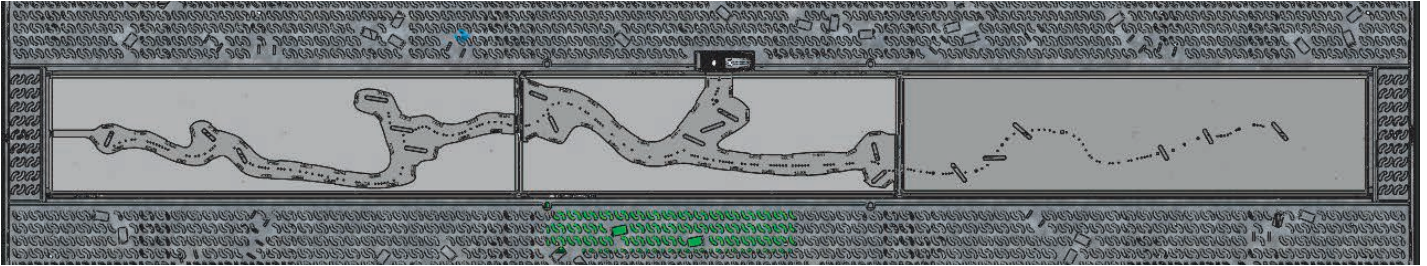
Step 4: Place centre front retainer



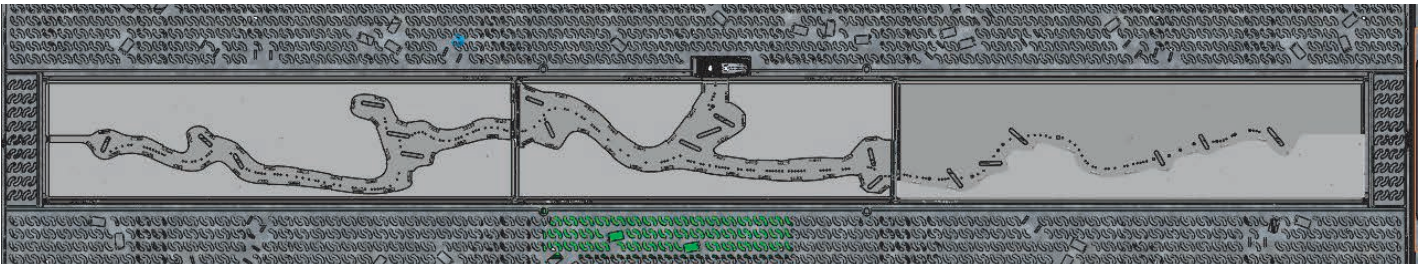
Step 5: Place LH centre rear retainer



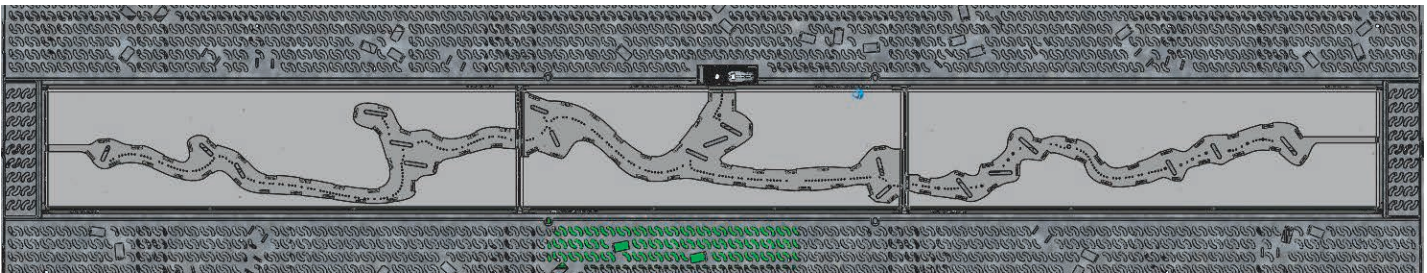
Step 6: Place RH centre rear retainer



Step 7: Place RH front retainer



Step 8: Place RH rear retainer



Retainer installation is now complete

F4 Riverbed Stone Setup

Four Riverbed stones and a collection of eight shale items constitute the Riverbed fuel bed, use the index guide below to select the correct stone and quantities for each step of the installation.



To achieve a beautiful flame picture through the Riverbed Stones fuel bed and shale it is critical to place the base shale and stones behind the retainers, NOT OVER THE GAS PORTS. All riverbed stones and shale should be behind the retainers (completed in section F4 on page 53), clear of ALL gas ports. See **MODE TIP!** of how to bridge shale off each other to enable a realistic and more natural shale appearance.

MODE INSTALL TIP! Suggestion of how build realistic shale appearance.



Once the shale has been placed, begin to install the Riverbed stones, selecting the largest first through to the smallest. Please follow the simple installation suggestion method through steps 1, 2, 3, 4 and 5.

Step 1: Place the contents of all shale bags in the firebox.



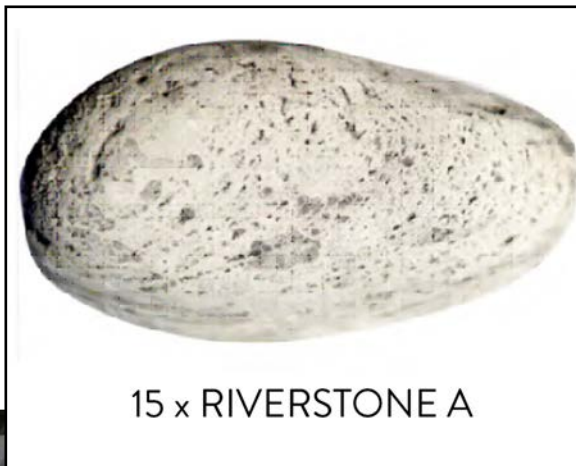
To create a natural tumbling river stone Riverbed appearance, follow the next MODE TIP! below. Stack stones against each other around ports to create a natural looking variation in the fuel bed.

IMPORTANT: You want to create a ravine with the stones around the burner port path.

MODE INSTALL TIP! Suggestion of how to nest and elevate stones to enhance the fuel bed aesthetic.



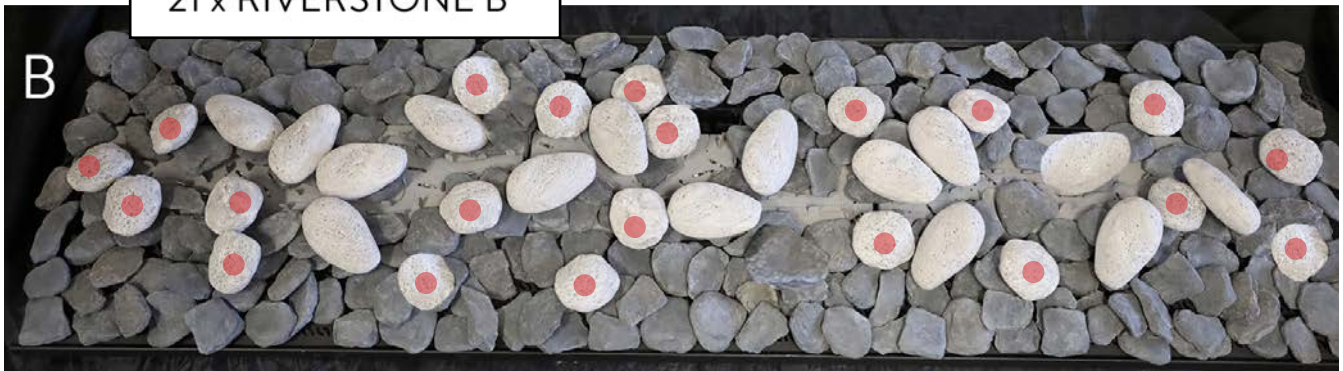
Step 2: Install RIVERBED STONE A atop the shale with the majority of stones centrally placed.



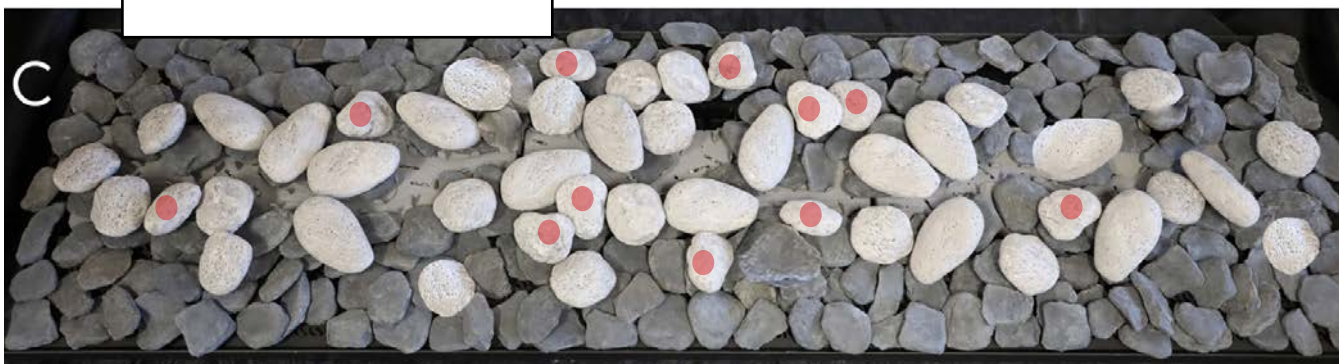
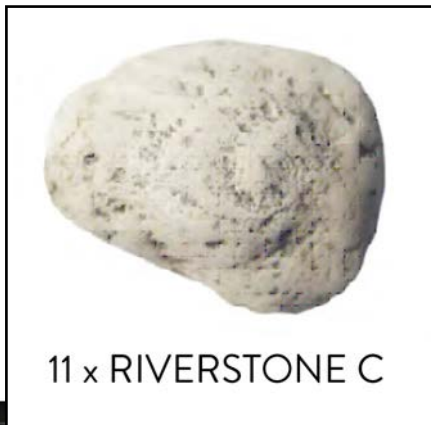
15 x RIVERSTONE A



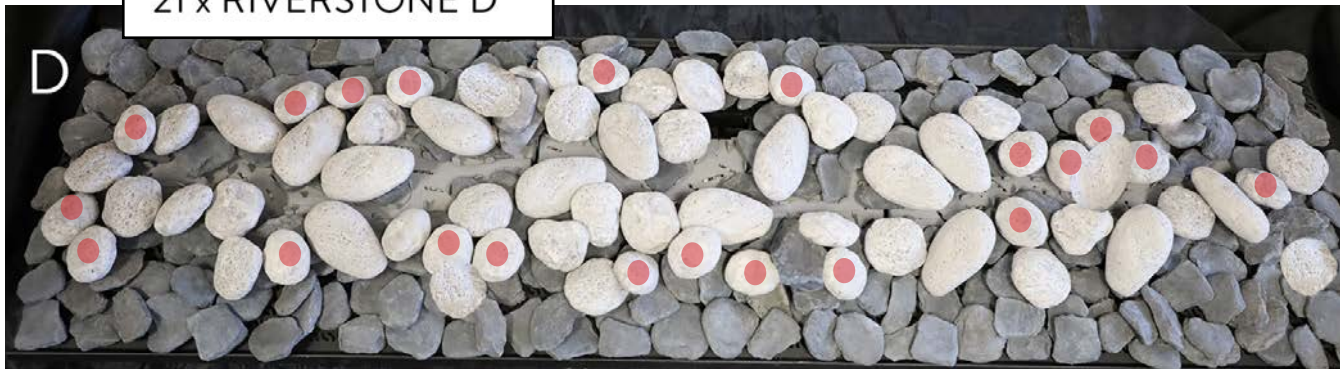
Step 3: Install RIVERBED STONE B distributed evenly among and adjacent to RIVER STONE A.



Step 4: Install RIVERBED STONE C distributed evenly among and adjacent to RIVER STONE A and B.



Step 5: Install RIVERBED STONE D distributed evenly among and adjacent to RIVER STONE A, B and C.



It is encouraged to follow this guide closely, but due to the natural behaviour of the stones an exact copy may not be possible. It is important to ensure ALL PORTS are clear in your final setup.

F5 Flame Picture

An abnormal flame pattern will look long and stringy; it may cause soot to build up inside the firebox.



An abnormal flame pattern will likely be the result of incorrect settings (jet size, burner aeration collar). Check that these are correct before proceeding. If an abnormal flame pattern is still present, please contact Escea.

It is the responsibility of the installer to ensure a correct flame pattern.

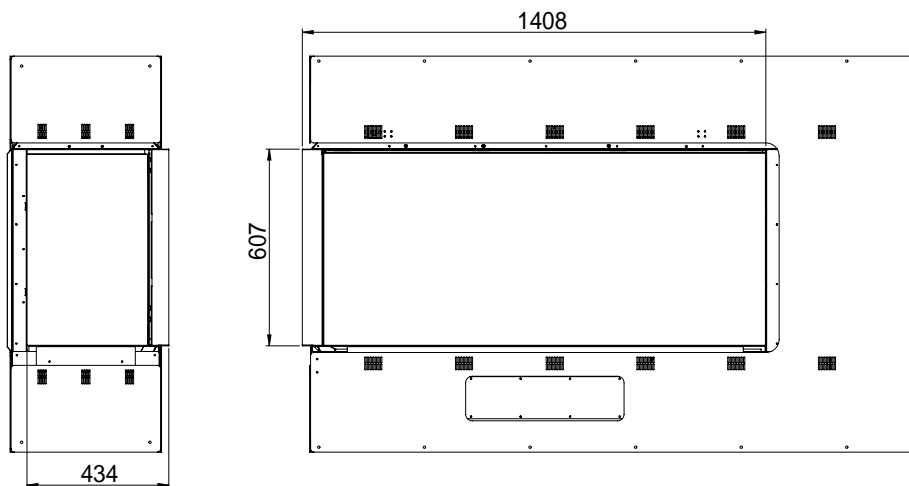
F6 Wall Linings

The final wall lining can only be commenced after all previous applicable sections have been completed.

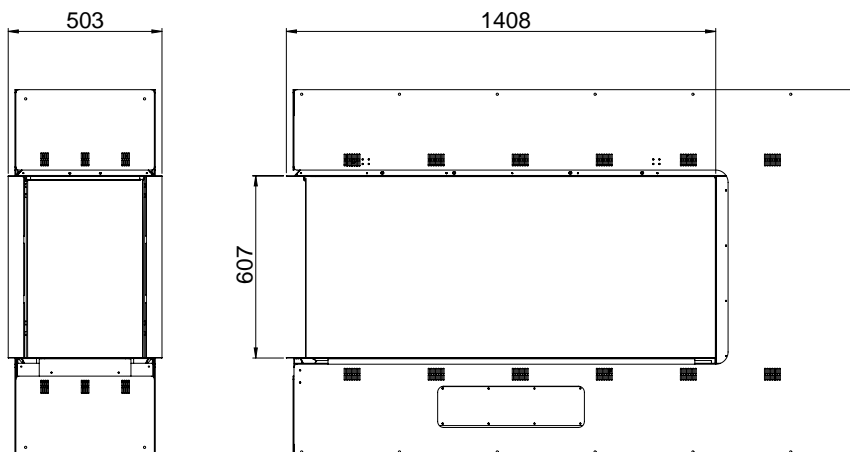
The appliance must be installed prior to and behind the finished wall surface. Allow clearance for any plasterboard, tiles, or other finishing materials that may be intended for the finished wall surface. Wall finishing materials must not encroach upon the minimum cavity clearances given in previous sections. The wall board that lines the outside of the opening can be normal plaster board and does not need to be non-combustible.

IMPORTANT: The final wall lining must not encroach within the specified dimensions in this section. These dimensions indicate the opening required in the wall lining. Encroaching on the minimum cut out dimension may inhibit the future serviceability of the fire.

KS1460 Corner Minimum Wall Lining Dimensions

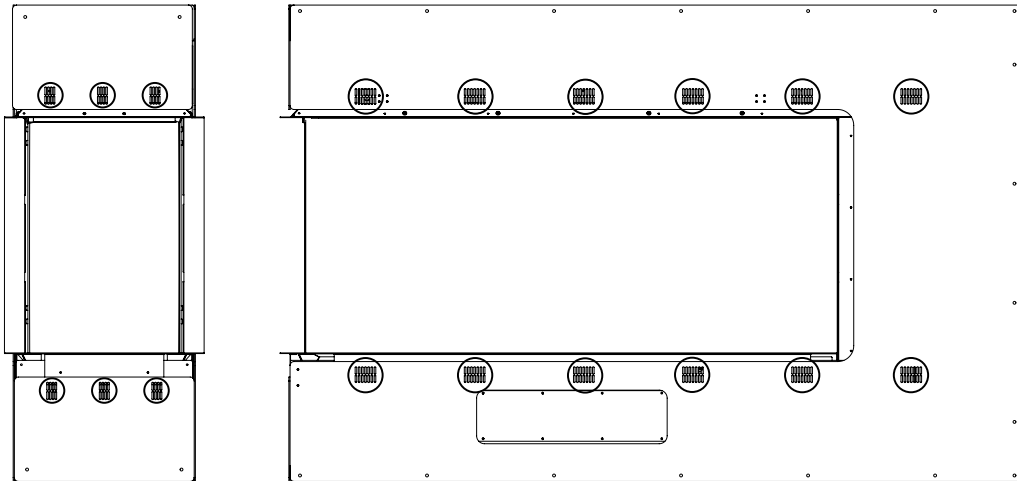


KS1460 Peninsula Minimum Wall Lining Dimensions



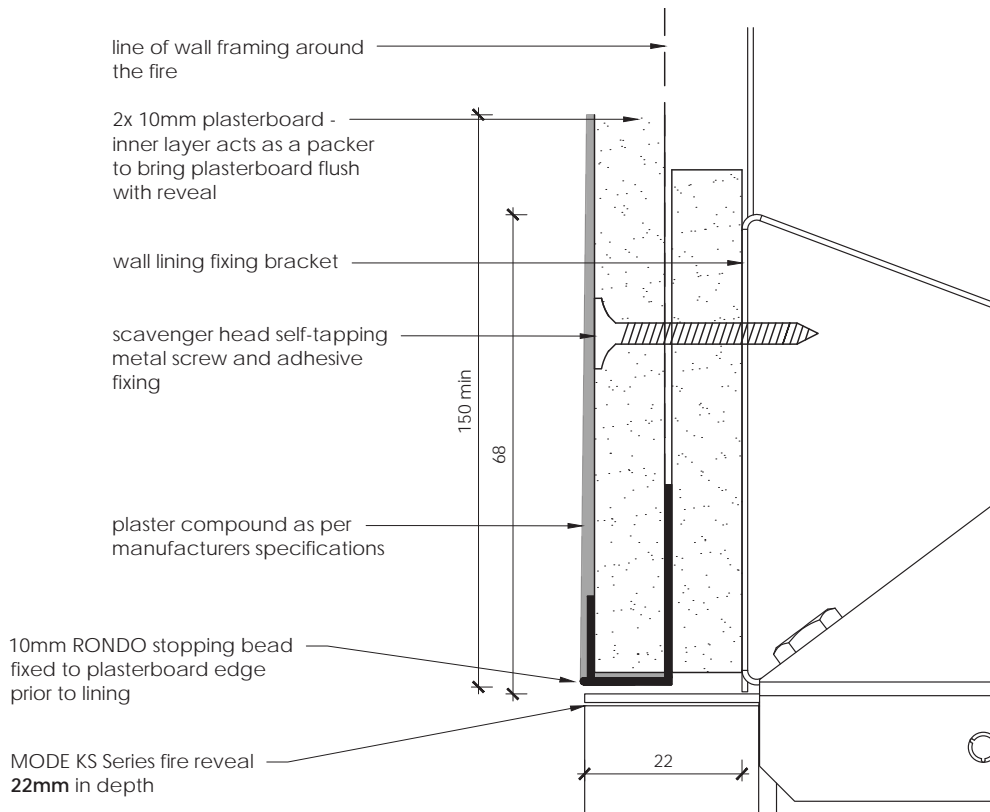
NOTE: The wall lining directly above the appliance will get warm and hence may discolour paint finishes that are susceptible to temperature damage. The heat may also distort vinyl wall coverings. For durability of finishes and surfaces you should contact the relevant manufacturer for their specification and avoid materials with temperature ratings not suitable for use above a fireplace.

The wall lining can be fixed to the KWU. There are several areas on the KWU (circled below) that can be used for fixing screws and adhesive.



Frameless wallboard finish

Ensure the edge of the wall lining is finished in a tidy manner. Leave at least 3mm between the trim and the wall liner.



F7 Locating Wall Mount Cradle for Wireless Control

The appliance's remote contains the thermostat that will sense the room temperature and communicate this back to the heater via Bluetooth.

A wall mount cradle has been provided for the wireless control and where possible the control should be housed in this cradle.

The location of this cradle should be decided by taking into account the following factors:

- Simple and convenient access for the user
- Away from air flow and drafts through the room
- The parts of the room that people are likely to spend time
- Away from direct sun light
- A suitable distance away from the heater
- Ideally 1.2 m to 1.5 m from the floor

The Bluetooth signal will go through some walls but for best results Escea suggest that the cradle position is less than 10 metres away from the heater and within the same room.

The best height off the ground to locate the cradle is about chest height. This gives a good average room temperature and easy access for the user.

Please ensure that the cradle is attached firmly onto the wall using the screws provided.

F8 Operating the Appliance

Charge the remote by plugging it into a USB-C cable.

To turn the fire on, press the '⏻' button once; within a few seconds the appliance will begin its startup sequence.

NOTE: The appliance begins its startup with a 30 second pre-start purge, where the flue fan runs on its own to clear the firebox before it tries to ignite. During the pre-purge the remote will show "Starting".

When the appliance has lit, set the desired room temperature by pressing the '+' or '-' buttons repeatedly until the display is showing the desired temperature.



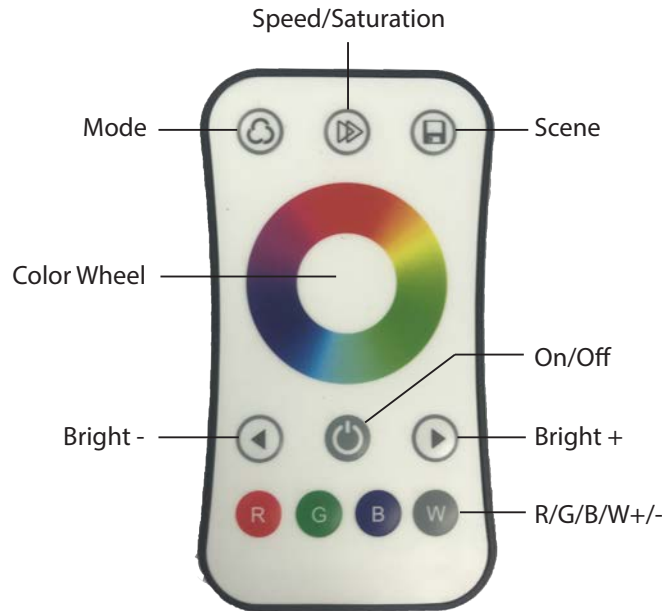
Run the appliance on full for an hour with the windows and doors open in the dwelling. This will ensure any initial smells have the chance to dissipate.

The appliance is turned off by pressing the '⏻' button once more. The remote will display "Standby".

Run the appliance again and check the operation of the thermostat by increasing and decreasing the set temperature. Check that the Effect Only and Fan Boost functions work correctly.

For further operation instructions please refer to the User Guide.

F9 LED Remote Operating Instructions



Operating the LEDs

On/Off : Turn On/Off

Dynamic Mode : Turn on using Mode button.

Static Mode: Turn on using Colour wheel or R/G/B buttons.

Colour Wheel : Touch to change and set static RGB colour.

Mode : Short press run the next dynamic mode, long press 2s reset mode cycle.

Speed/Saturation : For dynamic mode, adjust speed, short press 10 levels, long press 2s to reset back to default speed. For static colour mode, adjust saturation, namely change current static RGB colour to mixed white slowly, short press 11 levels, long press 1 -5s for continuous 256 levels of adjustment to white and back to chosen static colour.

Bright +/- : Adjust brightness, short press 10 levels, long press 1 - 5s for continuous 256 levels of brightness adjustment.

R/G/B : Short press get red, green or blue colour directly, long press 1 - 5s adjust R/G/B brightness continuously to achieve millions of colours.

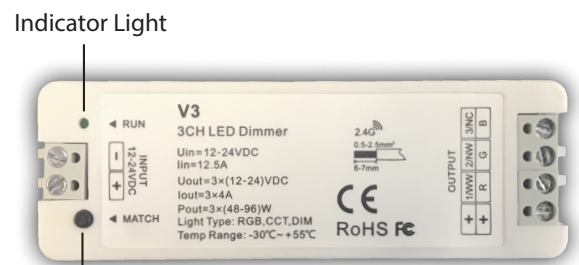
W +/- : Short press turn on/off white (RGB mix), long press 1 - 5s adjust saturation continuously, namely change current static RGB colour to mixed white slowly.

Scene : Short press recall the scene, long press 2s save the current colour into the scene

When LEDs are on, touch the colour wheel, the indicator will display red. To extend battery life, after a few seconds of no interaction, the remote will enter sleep state, to wake the remote press any key.

Pairing a New LED Remote

Ensure a battery (CR2032) is installed in the remote. The LED on the remote will illuminate when any button is touched. On the LED receiver (shown above) press the



remote pairing button. On the remote, touch the On/Off key until the LEDs turn on and off. The new remote is now paired.

F10 Normal Operating Sounds and Smells

NOTE: Each time the fire is lit from cold the glass may fog up with condensation. This is normal and the condensation will disappear within a few minutes once the glass heats up.

Sounds

It is possible that you will hear some sounds from your gas appliance. This is perfectly normal due to the fact that various types of materials are used within your appliance. Listed below are some examples. These are all normal operating sounds and should not be considered as defects in your appliance.

Fan:

Escea gas appliances use electric fans to push heated air into the room. It is not unusual for the fan to make a “whirring” sound when ON. This sound will increase or decrease in volume depending on the speed setting of your fan.

Gas Control Valve:

As the gas control valves turn ON and OFF, a dull clicking sound may be audible. This is the normal operation of a valve. When the fire is switched off after being run for a while, there may be popping and fluttering noises as the residual gas in the burners burns away. These are normal and are no cause for concern.

Unit Body/Firebox:

Different types and thicknesses of steel will expand and contract at different rates resulting in some “cracking” and “ticking” sounds being heard throughout the heating and cool down processes.

Smells

The first few times the unit is operated, the unit may release an odour and the flames will appear orange due to: the curing of the paint, the burning off of the starch in the gas logs and the oils in the metal. This is a temporary curing process which will disappear with use.

A deposit on the inside of the glass, caused by the starch in the logs, may appear as a build up after several uses. If this film is not removed, it will bake on and may become difficult to remove. When the glass is cold, remove it (see section E3 on page 35) and clean the inside with a non-abrasive cleaner.

DO NOT ATTEMPT TO CLEAN THE GLASS WHILE IT IS HOT.

UNDER NORMAL USE, NEVER OPERATE THE UNIT WITH THE GLASS REMOVED.

END OF SECTION F

- By the end of this section, you should have:**
- The remote control mounted on its cradle on a wall**
- Operated the fire and verified that it lights reliably and safely**
- Run the appliance on full for an hour with the doors & windows open**
- Checked the operation of the thermostat, Flame Effect & Fan Boost functions**

G INSTALLATION CHECKLIST

Go through the following checklist to ensure you have installed the appliance correctly:

- Correctly sized cavity to suit your fascia and flue configuration**
- Correct clearances to combustibles**
- An electrical isolating switch to the appliance, accessible after finished installation**
- Correctly sized gas supply with a pressure test point, ensuring adequate supply with all other gas appliances in the dwelling running**
- Gas type conversion process carried out if required**
- A weather-tight installed horizontal or vertical powerflue terminal with clearance as specified by AS/NZ5601.1**
- If chosen, reasonable access to the outside face of the horizontal powerflue wall terminal for maintenance purposes and flue attached to the rear of the horizontal powerflue wall terminal leading back to the appliance (or similar for vertical powerflue terminals)**
- The electrical cable from the powerflue terminal attached correctly and run back to the appliance cavity in an electrically safe manner**
- The appliance fixed to the KWU**
- The appliance plugged into a mains electricity supply**
- All gas joints and pressure points leak tested with suitable leak detection solution and drop tests completed on gas pipework**
- Fuel bed correctly installed**
- Glass correctly fitted**
- Operated the fire and verified that it lights reliably and safely**
- Appliance functions checked, including thermostat operation, Effect Only, and Fan Boost**
- Data label marked up with correct gas type and dated by installer if converted during installation**
- Home-owner shown how to operate the appliance correctly**
- Warranty card filled in with installer details and appliance serial number**
- User Guide made available for end user**
- Plumbing Industry Commission Compliance Certificate given to end user**

IMPORTANT:

- This appliance must be serviced every 12 months.
- Any service operation should be carried out only by a suitably qualified and trained person.
- Gas and electricity supply **MUST** be isolated before any service operation is carried out on this appliance.
- This manual should be left with the appliance.
- Only use **Escea approved** spare parts.
- Escea Spare parts are available from an Escea Distributor or Retailer
- **DO NOT MODIFY THIS APPLIANCE.**

S1 Annual Service Procedure

- Isolate power and gas supply to fire.**
- Remove glass and clean inside of glass.**
- Remove fuel bed and brush off any soot.**
- Clean electrode and pilot hood of any carbon build up and ensure correct gaps between electrode and pilot hood**
- Remove burners and blow compressed air through the burner ports.**
- Remove jets and clean injector hole (with solvent if necessary).**
- Vacuum any dust from the cavity that houses the fan and from the underside of the fire box around the valve and solenoids.**
- Test all joints for gas tightness.**
- Reassemble heater and check that operating pressure is correct.**
- Check glass sealing tape and replace if necessary.**
- Check to make sure that flue system is intact and not in any way blocked.**
- Trial heater with several start/stop cycles, Fan Boost, Effect Only, and thermostat modes to ensure that all modes function correctly.**

The product data plate is located underneath the electronics tray. (See “S10 Removing the Control Trays” on page 69.)

S2 Error Codes

This gas fire has been designed to show error codes to help explain and identify any fault situation that occurs. These codes will appear on the top of the remote touchscreen in the form of a letter “E” with a number code beside it. Codes can normally be reset by turning the fireplace off then on again at the mains power wall switch.

The following table shows what each code means and possible ways to rectify the situation. In the case of persistent or repeated shutdown errors, action must be taken immediately to find and repair the fault.

Some codes are not applicable for this model or are for factory diagnostics. These have not been included in this table.

NOTE: An error code may not signify a fault/warranty issue; depending on the error code, it may signify that the remote batteries are low or the LPG cylinder is empty. Refer to the section below and contact Escea if needed.

Error Code	Suggested action
E1 Electronics Over Temp	Ensure correct gaps are present around glass. Check fascia and trims are correctly fitted. Room air fans may be slowed or stalled. Check that the fans are plugged in, clean, and free turning. Check for excess lint and dust build-up on the PCB/Controller.
E2.1 The fire has tried to light three times and failed during a normal startup.	Check correct gas pressure to the appliance with all other appliances running. Check the spark electrode is sparking at the end of each 30s purge. Check the electrode is well enveloped in flame. Ensure no small embers/ coals have dropped onto the ignition electrodes inside the pilot guard. Ensure the electrode is not contacting any metalwork.
E2.2 Waited too long for purge to finish.	The fire has completed its purge but has not attempted to ignite the pilot.
E2.3 Three failures during normal runtime.	Check gas supply and check other gas appliances to see if they are affected. If you have two separate LPG cylinders, switch over to the full bottle or contact your gas supplier. You may need to retry igniting the fire a few times after re-establishing gas supply.
E2.5 Pilot has extinguished when the fire is in overtemperature mode.	The fire has moved to overtemperature mode (pilot flame only) and the pilot has extinguished. Check pilot jet for obstructions.

E2.6	<p>Check gas supply and check other gas appliances to see if they are affected. If you have two separate LPG cylinders, switch over to the full bottle or contact your gas supplier. You may need to retry igniting the fire a few times after re-establishing gas supply.</p> <p>Check regulator and burner pressure.</p>
<p>Pilot ignited then extinguished when main burners lit.</p>	
E2.7	<p>Check supply voltage.</p>
<p>Critically low supply voltage. (<185V)</p>	
E3.1	<p>Check that fans are plugged in, cleaned, and free turning - room air fans may be slowed or stalled.</p> <p>Check the burner pressure -being set too high may result in excess heat build-up.</p> <p>Check the gas jets are correct.</p>
<p>TCO 1 (Heat exchanger) has gone over temperature.</p>	
E3.2	<p>Check that fans are plugged in, cleaned, and free turning.</p> <p>Check fan capacitors are plugged in - secondary room air fan may be slowed or stalled.</p>
<p>TCO 2 (Lower chassis) has gone over temperature.</p>	
E3.3	<p>Check that TCO wiring terminals are properly connected and not touching the chassis or firebox.</p>
<p>TCO over current protection activated.</p>	
E4.1	<p>Check that the connections to each solenoid are secure and in place.</p> <p>The primary solenoid on the valve inside the fire may have failed. If this is the case, the coil will need to be replaced.</p>
<p>Primary valve solenoid current abnormal.</p>	
E4.2	<p>Contact Escea technical support.</p>
<p>Secondary valve solenoid drawing current when supposed to be off.</p>	

E4.3

Secondary valve solenoid overcurrent protection activated.

The valve solenoids have failed the pre-ignition test. A wire may have dislodged or the valve solenoid is faulty.

Check that the connections to each solenoid are secure and in place.

The connections on the ends of the wires may need to be tightened (e.g. with a pair of pliers) to ensure a robust connection to the valve terminal.

E4.4

Secondary valve solenoid drawing too much current.

Check the wiring to the solenoids for damage.

E4.5

Secondary valve solenoid drawing too little current.

E6.5

Room fan current too low.

Check that room fans and capacitors are plugged in.

E6.6

Room fan current too high.

Check that room fans are not stalled or jammed.

Check wiring loom for damage.

E7.1

Pressure switch stuck closed at startup

Ensure the pressure switch is mounted vertically and the diaphragm is operational.

E7.2

Flue fan current too low.

Check powerflue cable is correctly plugged into the fire and powerflue.

Check powerflue cable for damage.

E7.3

Flue fan current too high.

Check powerflue fan is free spinning and not stalled or jammed.

Check powerflue cable for damage.

E7.4

Pressure switch does not close during purge.

Check whether the pressure switch is activating at startup (there is an orange indicator LED in the control tray and near the Aux button).

Check that both flues are securely connected at both ends to the appliance and the Power Flue wall terminal and that the flue is not damaged.

Check that the pressure switch electrical connection is correct.

Check that the pressure switch hoses are connected at both ends. Ensure the hoses are not kinked.

Ensure the pressure switch is mounted vertically and the diaphragm is operational. The black hose should be connected to the lighter pressure port and the translucent hose to the darker pressure port.

Check that the fan inside the Power Flue wall terminal is running during startup. This fan may need servicing if it is slowed or stalled.

S3 Cleaning the Fuel bed and Glass

IMPORTANT: Always use gloves when handling the glass.

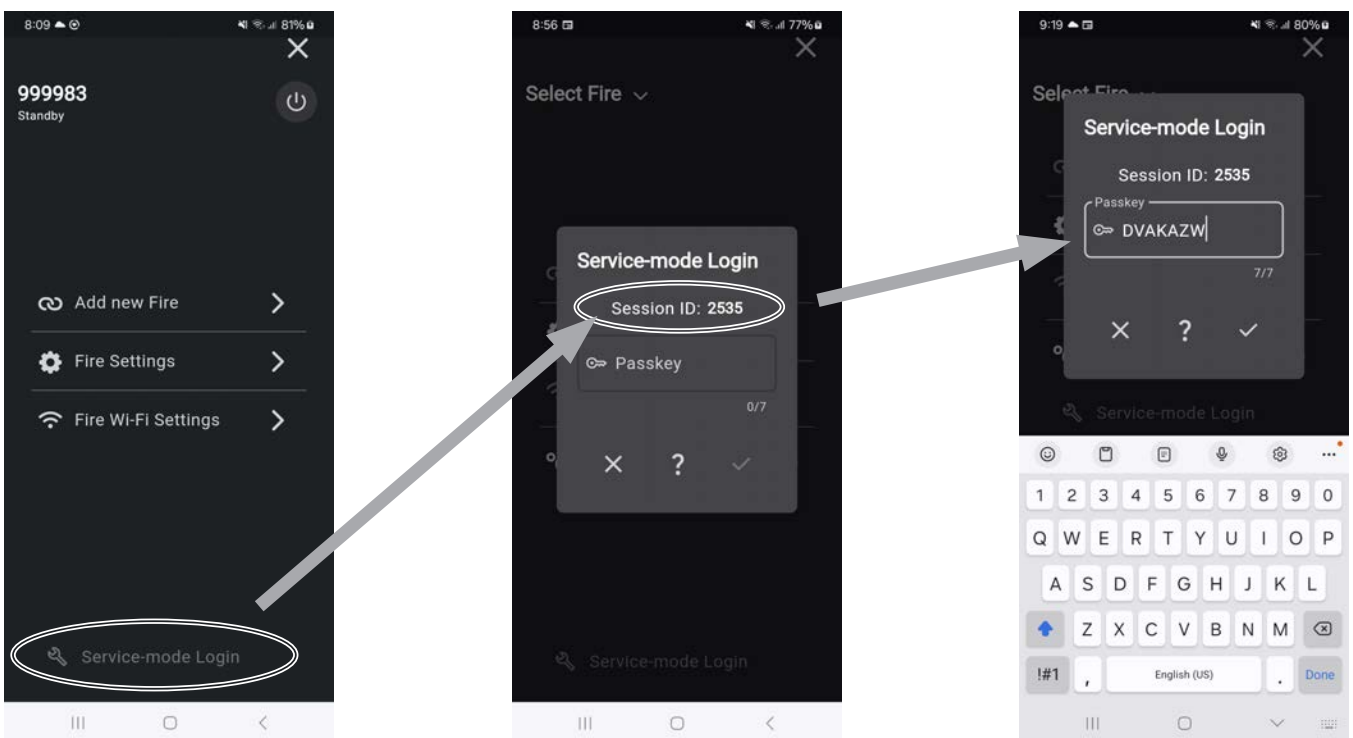
Follow “Removing (and Replacing) the Glass” on page 35 to remove the glass. Place the glass carefully aside. Note that any soot on the glass can mark carpet and furnishings. Any standard ammonia-free glass cleaner may be used to clean the glass. Use a soft brush to clean the fuel bed media, being careful to replace it according to the instructions in “Finishing the Installation” on page 34.

If soot build up on the fuelbed and/or the inside of the glass becomes excessive or regular then one of the following actions may be required:

- Reset the gas pressure - the pressure may be too high;
- Reposition the fuelbed - check with specific fuelbed instructions for details;
- Clear any blockage from primary aeration port of burner;
- Check that the flue tube is not damaged or disconnected;
- Check that the exhaust fan is operating and cowl is not blocked in any way.

S4 Service-Mode Login (Elevated Permissions)

To gain access to the service mode with additional functionality, please follow these steps using the Escea Smart Heat App. To obtain a service mode paskey, ensure you have your session ID ready and call Escea at: NZ : +64 3 478 8220 or Aus : 1-800 460 832



S5 Checking Operating Pressure

See section “E5 Checking the Gas Operating Pressure” on page 37.

S6 Replacing/Pairing a Remote Control

If the wireless control becomes lost or damaged, a new one can be ordered from any Escea retail agent.

1. Hold down the black (AUX) button on your fire for a minimum of 20 seconds, this will tell your fire to forget any paired remotes.
2. Ensure the fire and remote are set to 'Off'. Gently shake the remote to wake it up if necessary.
3. Press the menu button on the touchscreen
 - Go into Settings
 - Advanced
 - More
 - Pair Fire
4. Select the fire you wish to pair to and select "Next".
5. Enter the fire's PIN. Tap each digit then use the up and down arrows to change the digit.
6. Press "pair". The fire is now linked to the remote control.

Note: Do not attempt to use the old remote once the new one is paired.

S7 Replacing the Burners

See section "E4 Removing (and Replacing) the Infill & Burners" on page 36.

S8 Serial Number

The serial number for the fire can be found in three places. The first is through the remote; tap the menu button and select "Information". The second is on the data stickers on the chassis under the electronics tray, and on the electronics tray. (See "S10 Removing the Control Trays" on page 69)

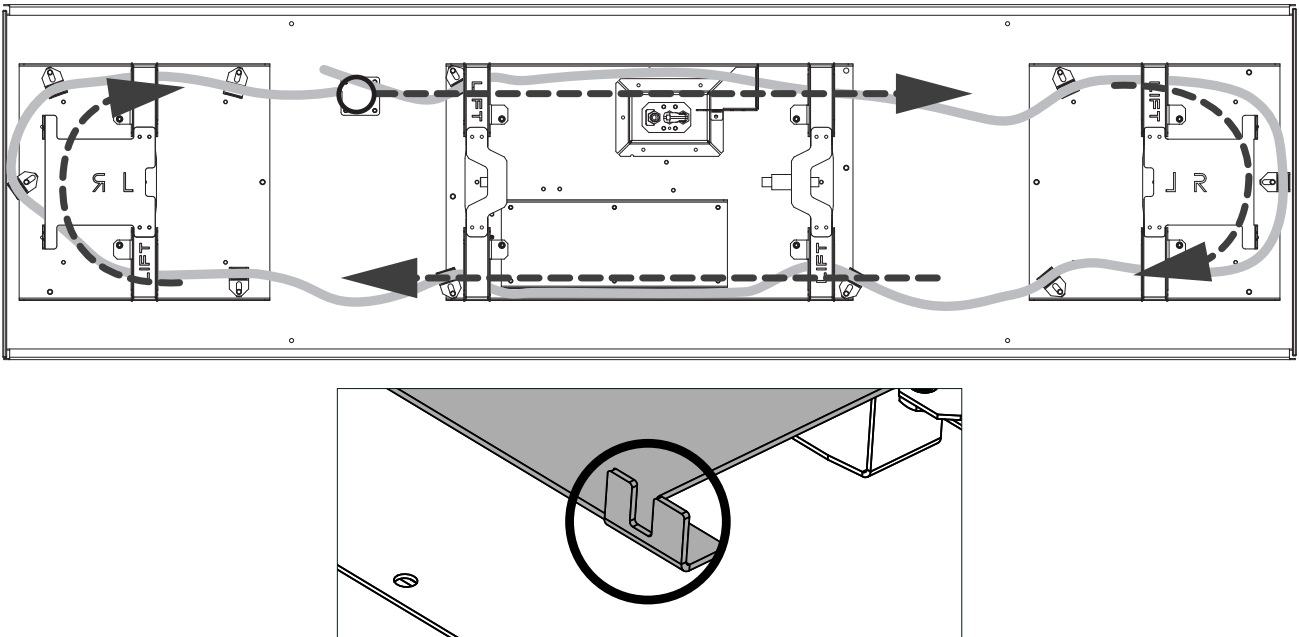
S9 Removing or Cleaning the Fan(s)

As part of regular service procedure, it is recommended that the fan is removed for cleaning. Dust will build up on the fan rotor and in the cavity where the fan is located. This can be removed by the service person using a hearth brush and a vacuum cleaner.

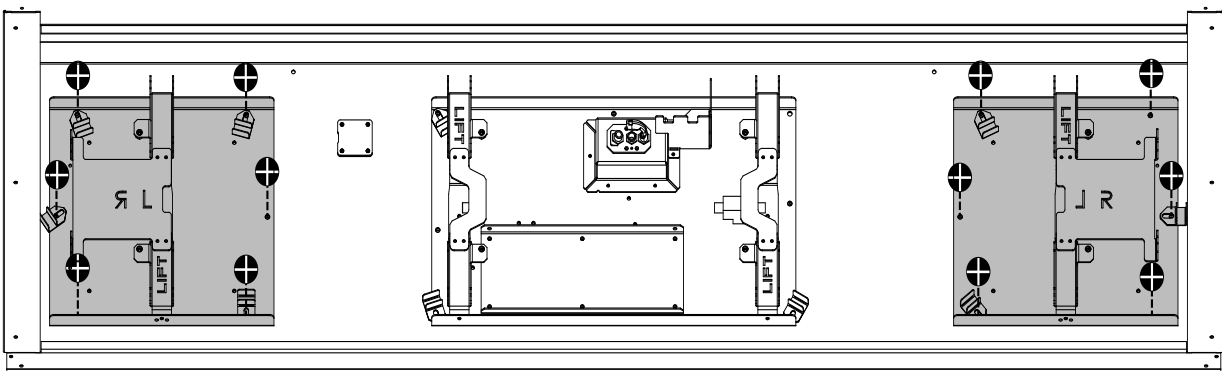
WARNING!

TURN THE GAS AND POWER SUPPLIES OFF.

Remove the trims, glass, infill, and burners following sections "Removing (and Replacing) the Glass" on page 35 & "Removing (and Replacing) the Infill & Burners" on page 36. Then, unravel the LED light strip in the direction highlighted below to gain access to the fan assemblies. (When replacing, take care to set the LED light strip into the brackets provided.)



Remove the six screws holding the fan assembly in place and lift out using the handles.



S10 Removing the Control Trays

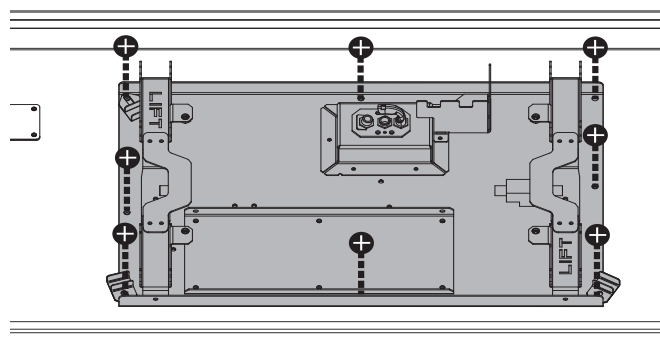
Start by following the instructions in “S9 Removing or Cleaning the Fan(s)” on page 68 in order to access the control trays.

NOTE: It is not necessary to remove the fans to access the control trays.

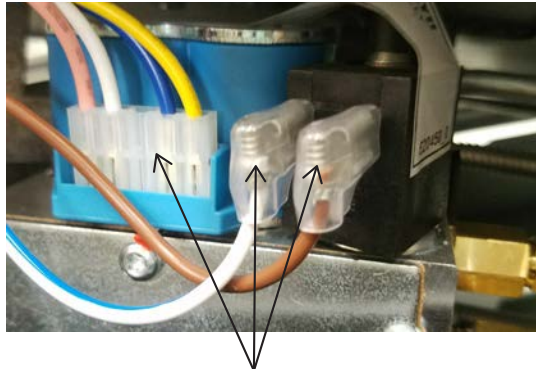
WARNING!

TURN THE GAS AND POWER SUPPLIES OFF.

Remove the 8 screws on the gas tray (shown shaded in the diagram below).



Remove the gas tray by lifting up and to the right. This is still connected internally to the gas hose and power cables. Disconnect the 4 pin connector between the electronics tray and the gas part of the tray. Also disconnect the ignition and rectification leads from the black box on top of the modulator (shown below).



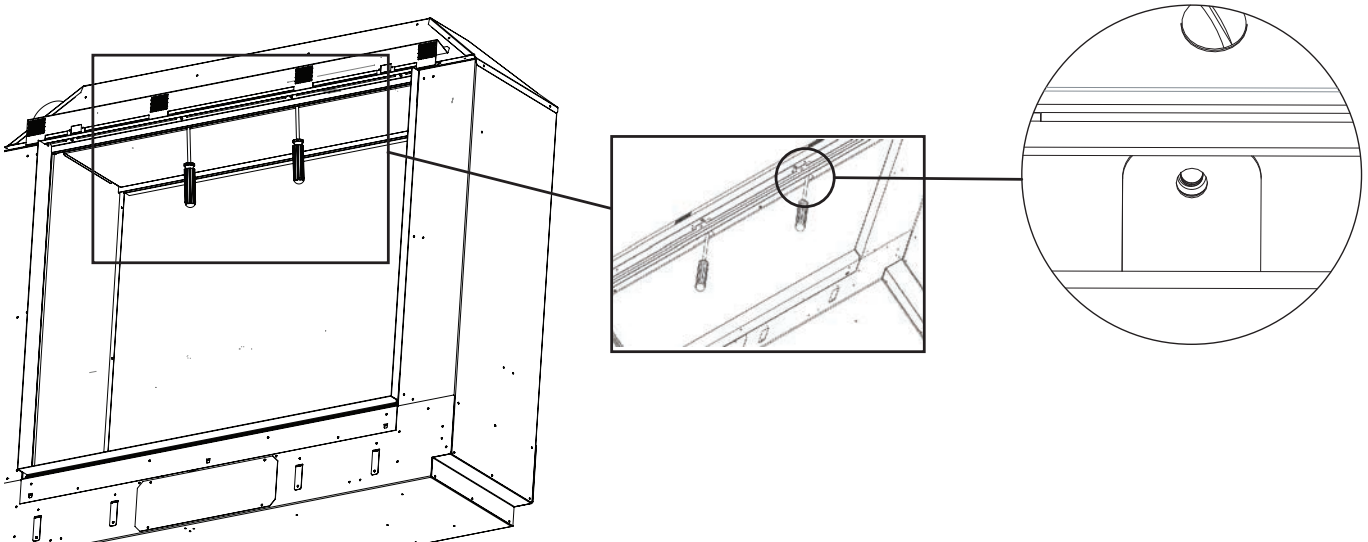
Disconnect the 4 pin modulator connector, the ignition and rectification connectors

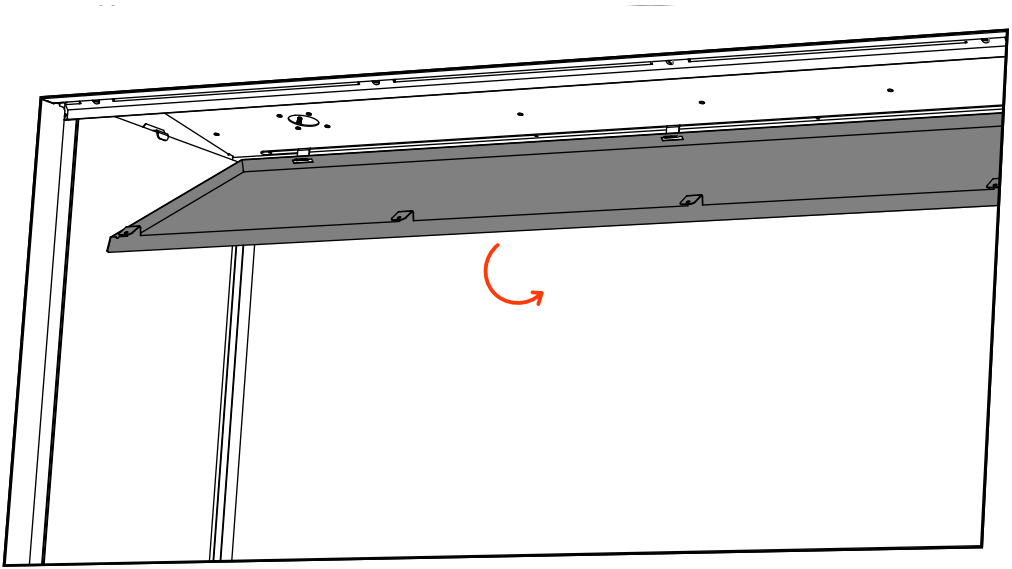
To remove the electronics tray, unscrew the one black screw shown and disconnect the white wire connector. Lift the end of the tray where the screw was just removed and slide it out towards you.



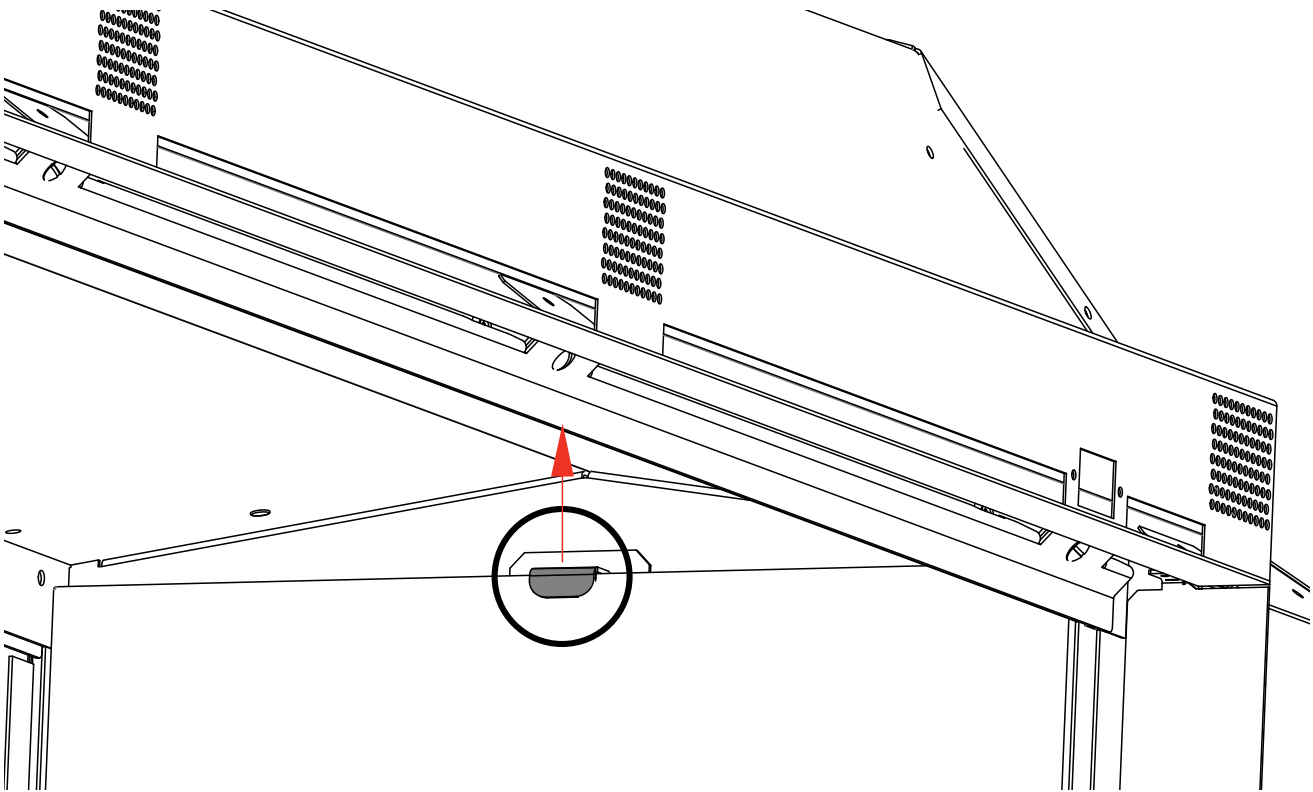
S11 Pressure Switch Removal

Follow the steps in section “E3 Removing (and Replacing) the Glass” on page 35 to remove the glass from the front of the appliance. Follow the steps in section “E4 Removing (and Replacing) the Infill & Burners” on page 36 to remove the burners and infill. Carefully remove the floating ceiling by unscrewing the four screws hidden behind the negative detail and sliding it first back, then down.

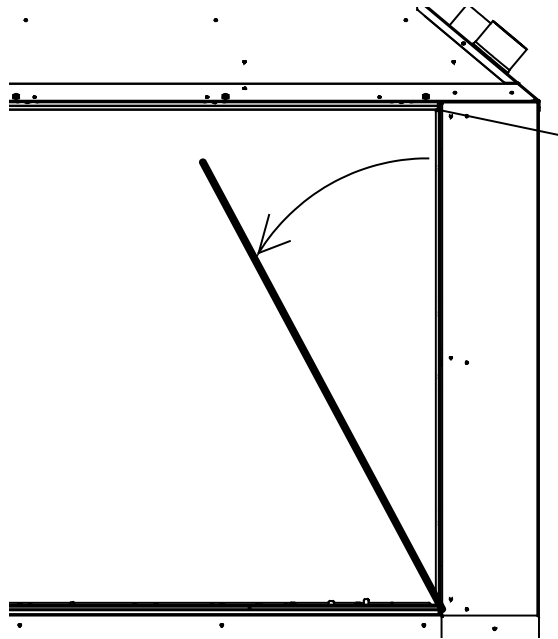




Rotate the top glass retainer bracket upwards (shown shaded in the diagram below).

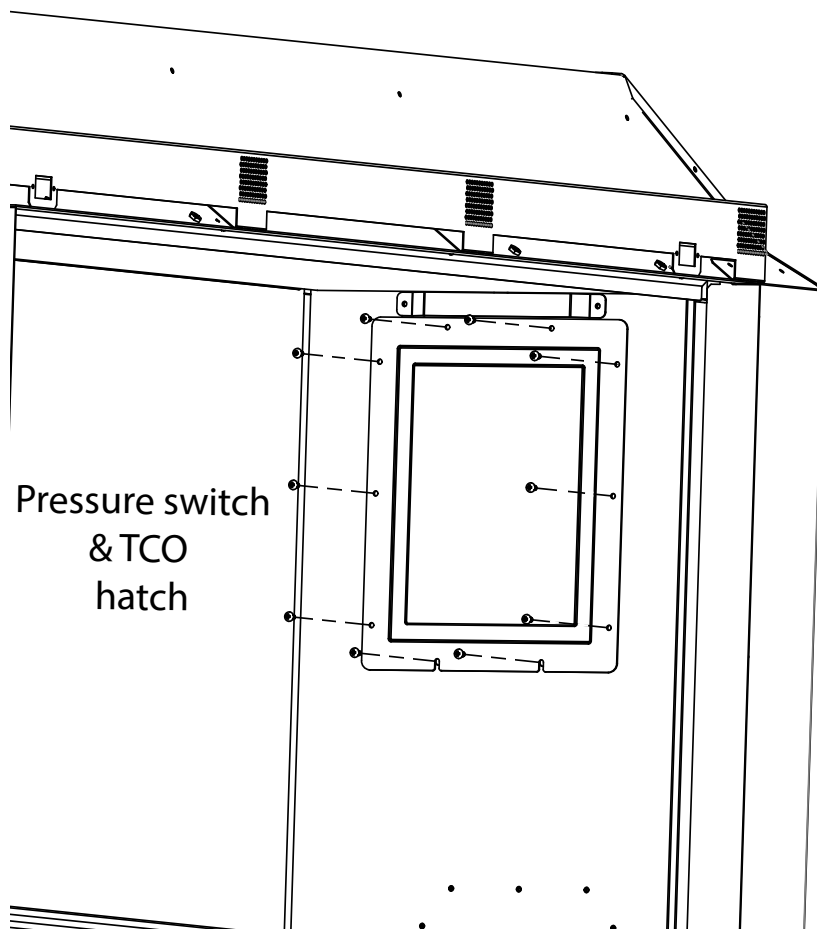


With the glass retaining bracket slid upwards, attach a glass suction cup to the black side glass and carefully lift and tilt the side glass to remove it.

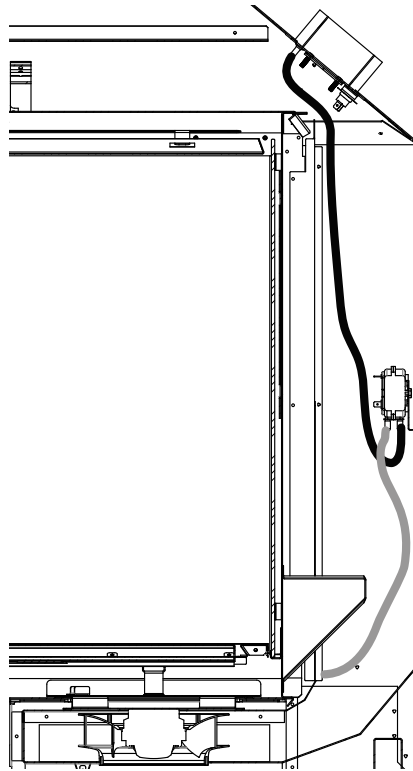


IMPORTANT: To prevent damage to the glass when putting the glass back in its place, do not let the glass touch any sheet metal edge.

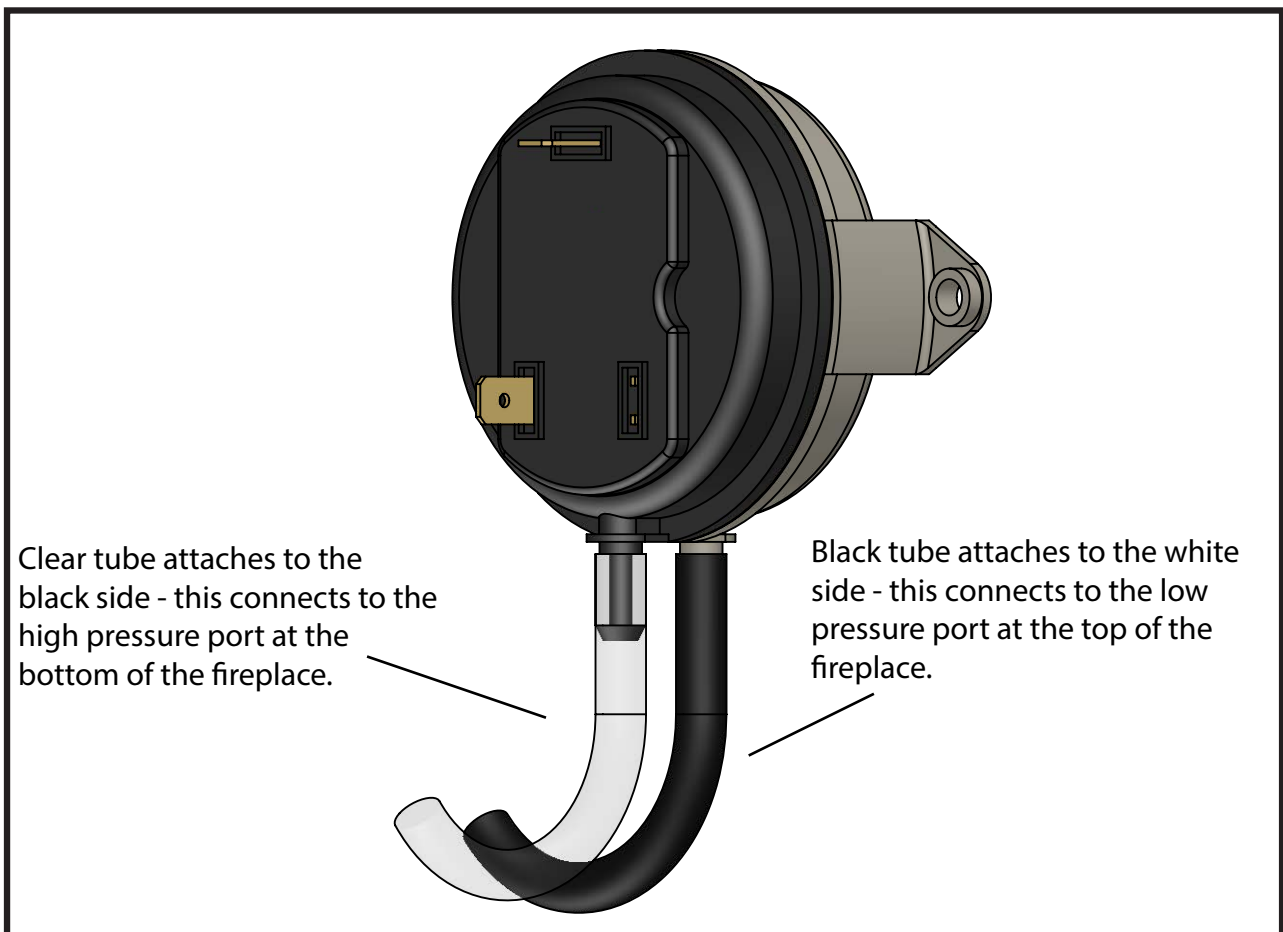
Remove the 10 screws (shown in the diagram below) in the access hatch and carefully remove from the firebox.



Remove the 2 silicone tubes. Disconnect the two wires from the pressure switch and remove the two screws on either side of the pressure switch to remove it from the bracket.



When reconnecting the pressure switch, be sure to connect the tubes as shown in the diagram below. The black tube should be connected between the grey side of the pressure switch and the low pressure port. The translucent tube should be connected between the black side of the pressure switch and the high pressure port.



S12 Replacing the Thermal Cut Out

WARNING!

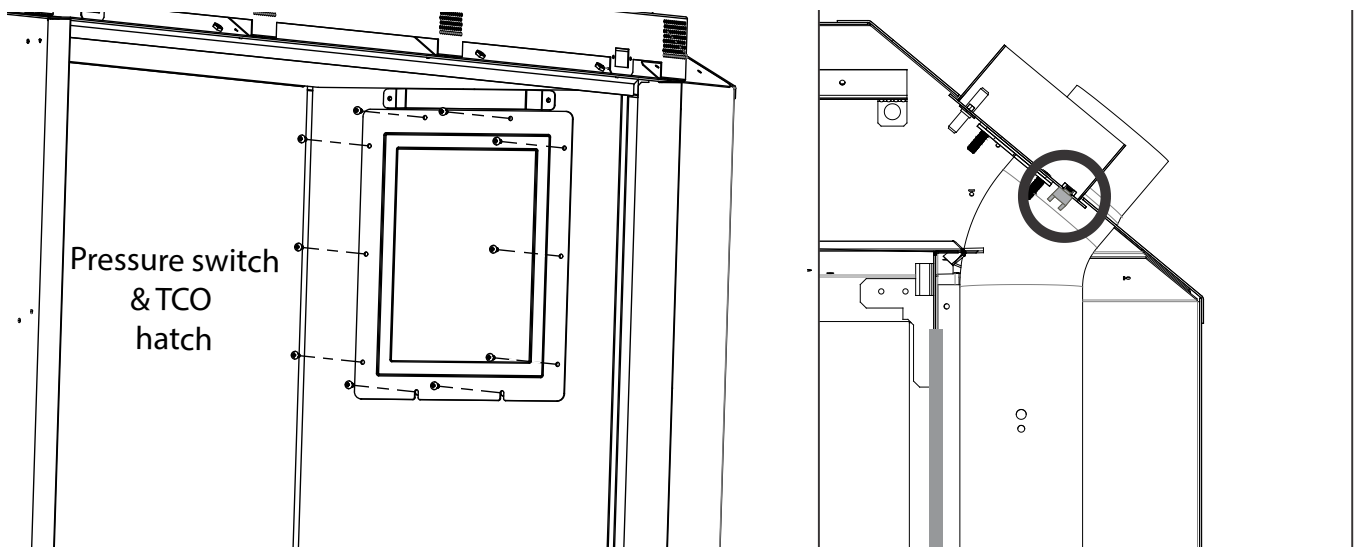
ENSURE POWER IS TURNED OFF BEFORE REMOVING ANY TCO.

There are two thermal cutouts: one in the LH room fan assembly (60°C) and the other attached to the exhaust manifold (120°C).

Exhaust TCO (120°C)

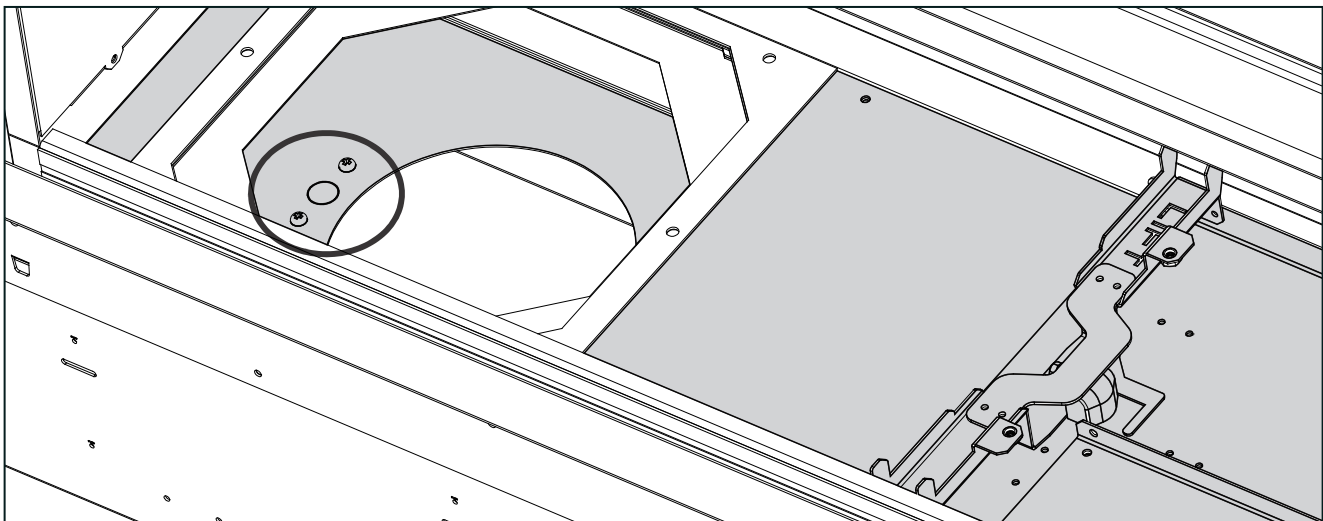
Access to this TCO can be made by following steps 1 to 2 from section “S11 Pressure Switch Removal” on page 70. Remove the 10 screws (shown in the diagram below) in the access hatch and carefully remove from the firebox.

Reach in to the hatch and locate the TCO (circled in the diagram below). The TCO has two wires connected to the main body; remove these. Unscrew the TCO using your hand and remove from the firebox.



Fan TCO (60°C)

Access to this TCO can be made by following the steps in section “S9 Removing or Cleaning the Fan(s)” on page 68 and removing the left hand fan (not exhaust side). Once the fan is removed you will see the TCO (circled in the diagram below). To remove this, unscrew the two visible screws and once free remove the two wires connected to the TCO and remove from chassis.



S13 Servicing the Horizontal / Vertical Powerflue

Ensure the power to the powerflue is off by disconnecting the power to the appliance inside. If the appliance has been running, allow the powerflue to cool before attempting to service it.

Servicing a Horizontal Powerflue:

Undo the screws on the outside of the powerflue box and separate the two parts, giving you access to the fan inside.

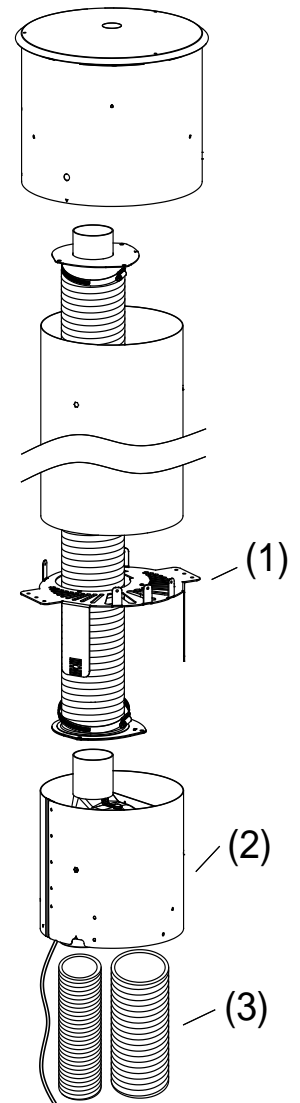
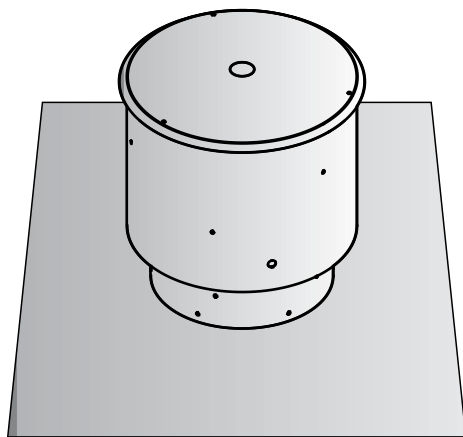
Removing this plate gives complete access to the fan for servicing or replacement. Check that all the seals are still intact. Check that the fan electrical terminals, motor, and impeller are not corroded. Ensure there are no signs of leakage in or around the terminal.

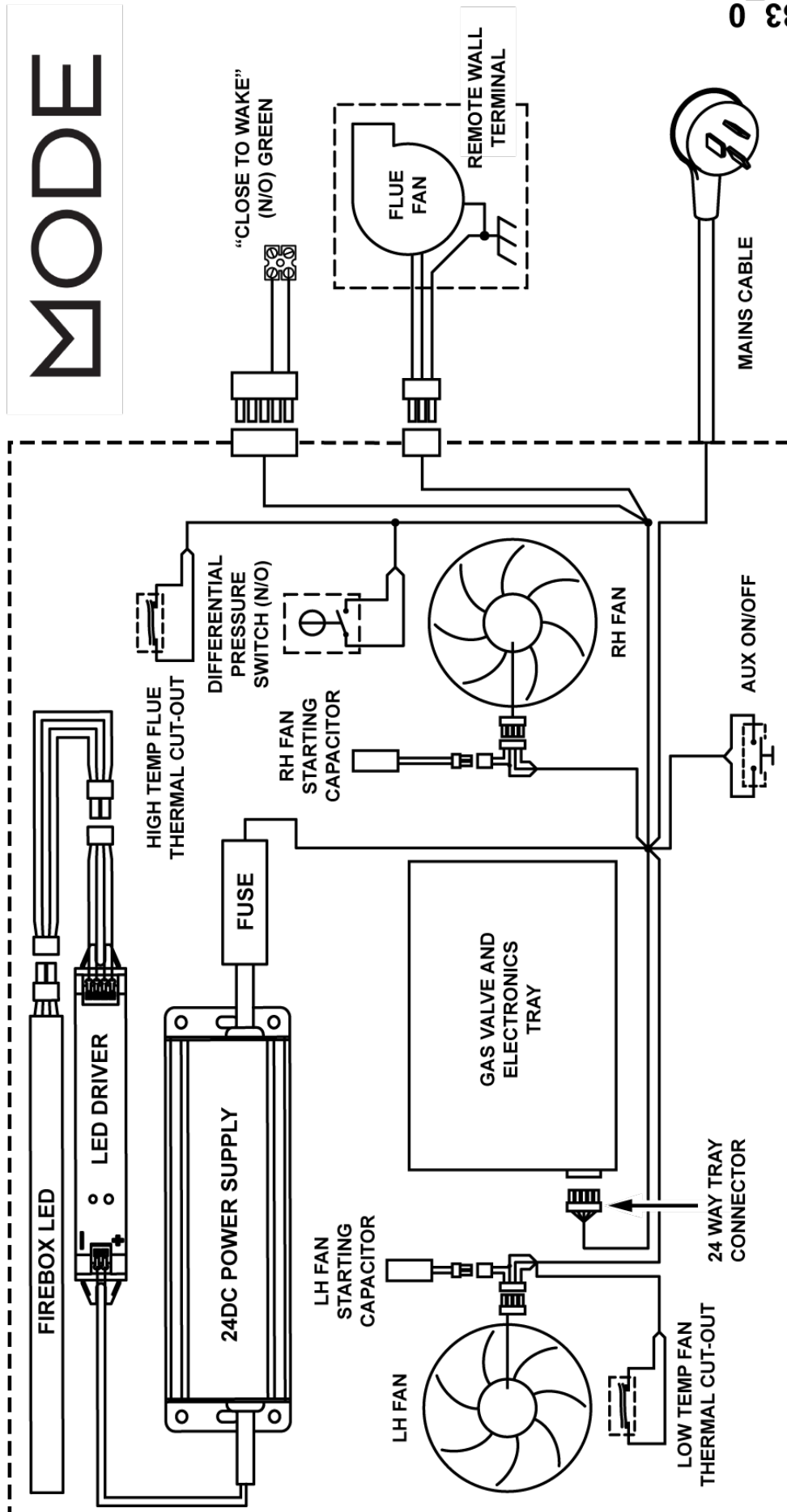
When reassembling the powerflue, line up the round silicon grommets with the outlet tube of the fan and push the cowl back into place. Ensure all seals are still in place and replace all of the screws to hold the cowl in the correct position.

Servicing a Universal Vertical Powerflue:

If the UVP is internally installed remove the unit and replace the complete fan unit.

If the UVP is externally installed the cowl/fan unit is to be completely replaced by removing it from the liner or flashing.





Part No. 620683_0

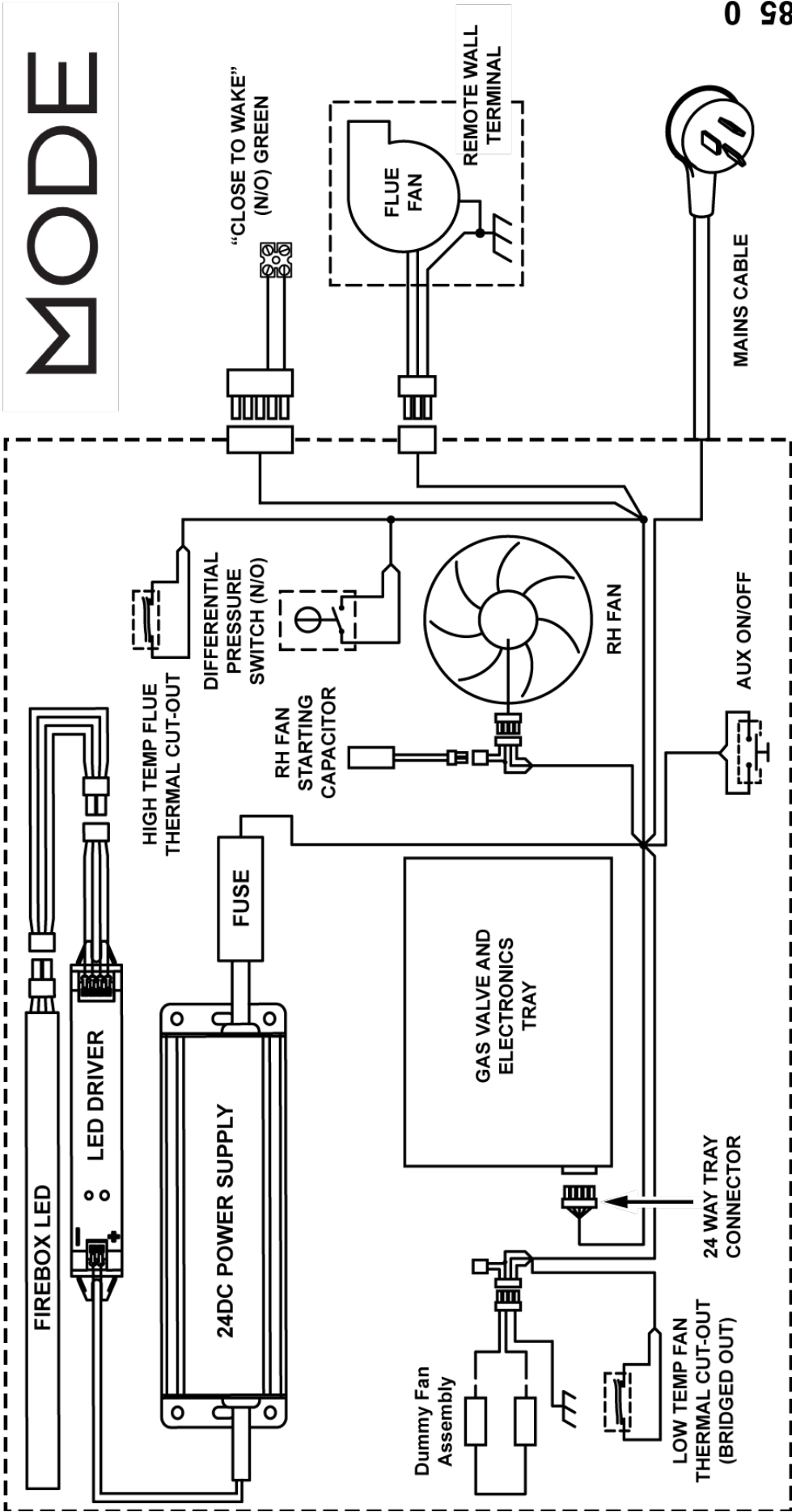
230V-240V AC
50Hz 2A FUSE
130 - 140W



KS1460 Series G3



Read the user instructions before use.



MODE

Part No. 620685_0

230V-240V AC ~
 50Hz 2A FUSE
 130 - 140W



KS1460 Peninsula G3

Electrical Schematic



Read the user instructions before use.