

TFS650

A modern take on a classic fire, this square-style freestanding fireplace is ideal for smaller living spaces wanting high-impact flames and better home performance.

FREESTANDING WOOD FIREPLACE



 ULTRA LOW EMISSION BURNER



Better Home Performance

Direct Vent Flue Technology achieves greater home performance with better suitability for modern homes.



Generous Window

The pared-back design of the firebox makes room for a large viewing window for maximised flame viewing.



Your Base, Your Way

Elevate this fireplace with an Escea Concrete Plinth or Steel Base, or place it on your own custom base design.

TFS650

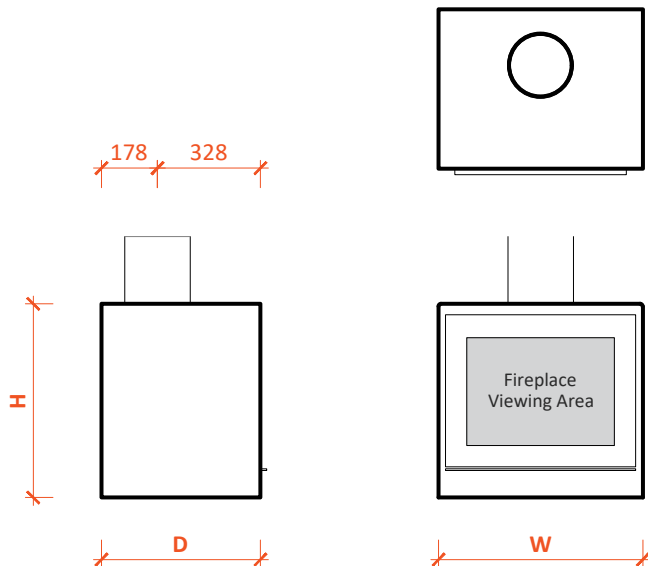
FIRE BY **escea.**

SPECIFICATIONS

MAX. HEAT OUTPUT	12.5 kW
EFFICIENCY	66% Clean Air
AVG. PARTICULATE EMISSION	0.65g/kg
APPLIANCE WEIGHT	90kg
FUEL TYPE	Softwood
ECAN AUTHORISATION NO.	CRC260578
CM 1.6 AUTHORISATION NO.	CRC260579
FLUE TYPE	Natural Draught Direct Vent
FLUE SIZE	150mm Exhaust 200mm Intake 250mm Outer
FLUE LENGTH (MIN)	4.6m - from hearth

DIMENSIONS

APPLIANCE SIZE	650w x 616h x 506d mm
GLASS VIEWING AREA	605w x 483h mm
FIREBOX VOLUME	54L
FLOOR PROTECTOR	Required - 872w x 926d mm
MIN. CEILING HEIGHT FROM APPLIANCE	1410mm



INSTALLATION

Base Requirements

Designed to be installed on an Escea Plinth or Base, or a custom designed base solution.

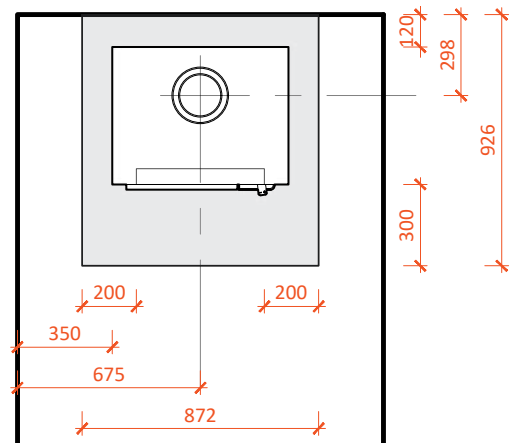
Installation Height

Elevate the fireplace base 375mm above a combustible floor. At this height, only a continuous, non-combustible floor protector is required. Lowering the fireplace will require an insulating hearth.

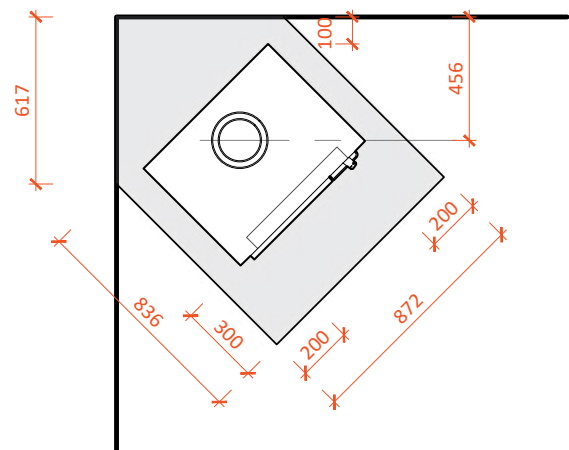
Flue System

This fireplace uses a Direct Vent Flue system, taking no air from inside the building for combustion. Flue offsets are available for vertical flue path changes in direction.

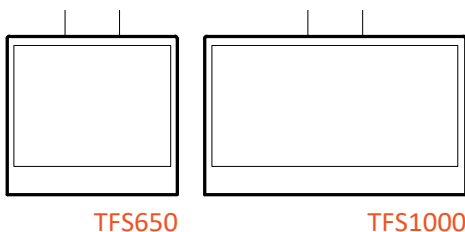
PARALLEL INSTALLATION



CORNER INSTALLATION



TFS SERIES - ALL MODELS



Further information and technical documents available via the QR code or escea.com/tfs-series

